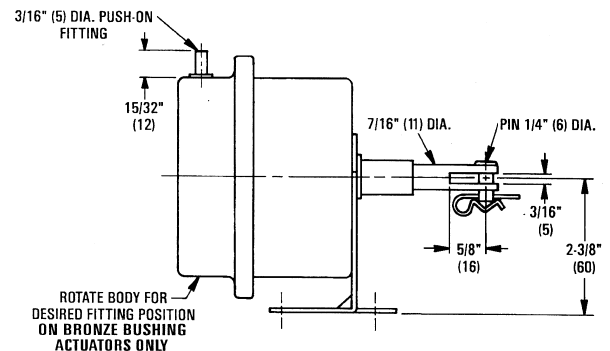


Installation Guide

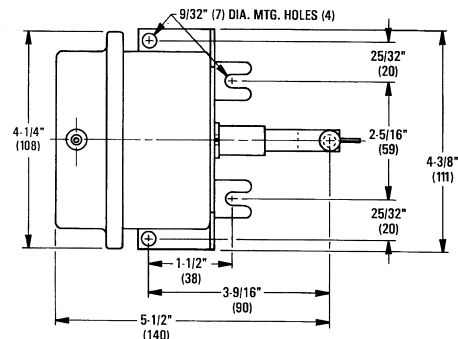
Mounting

1. Connect the damper's blade clip or drive arm with the clevis pin and cotter pin.
2. Position the damper for its "normal" position.
3. Mount the actuator to the side of a VAV terminal using the mounting holes in the bracket.
4. Rotate actuator body so the air connection is in the desired location.
5. Check that the linkage will not bind as the shaft extends and retracts.



Connections

- ◆ Use 1/4" (6 mm) polyethylene tubing.
 - ◆ Use only clean, dry control air. No attempt should be made to use any other medium.
1. Pipe the signal (0 to 20 psi) to the input fitting.
 2. Slowly apply supply pressure to fully stroke the actuator and linkage.
 3. Check for any binding.



Adjustments and Calibration

Fine tuning can be accomplished by adjusting the balljoint on the pushrod.

Maintenance

The MCP-8031 actuator is designed for long term reliability. No routine maintenance is required.

KMC Controls
 19476 Industrial Drive
 New Paris, IN 46553
 574.831.5250
www.kmcccontrols.com