

Installation Guide

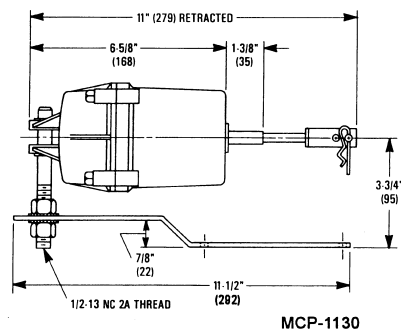
Mounting

Post Mounted - Typically used for internal duct mounting.

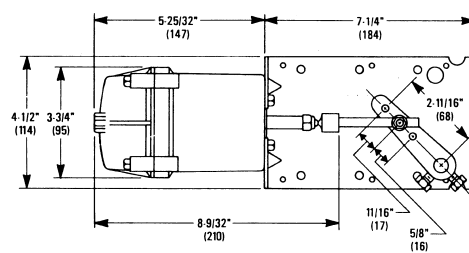
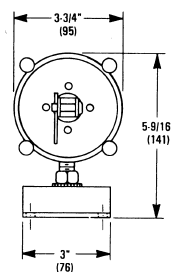
1. Connect the damper's blade clip or drive arm with the clevis pin and cotter pin.
2. Position the damper for its "normal" position.
3. Mount the offset bracket to either the damper frame or the duct.
4. Check that the linkage will not bind as the shaft extends and retracts.

Right Angle Mounted - Typically used for external duct mounting.

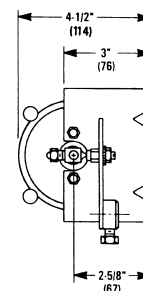
1. Slide the crankarm over the damper shaft.
2. Determine whether the damper shaft must rotate Clockwise (CW) or Counter Clockwise (CCW).
3. Locate the half-circle cutouts on the outside corners of the bracket.
4. Place the appropriate half circle cutout over (for clockwise rotation), or under (for counter clockwise rotation) the damper shaft.
5. Loosely mount the actuator externally on the duct or air handling unit.
6. Leave sufficient room for adjusting and servicing the unit.
7. Position the damper for its "normal" position.
8. Tighten the crankarm set screws.
9. Check that the linkage will not bind as the shaft extends and retracts.
10. Firmly anchor the bracket to the duct. The actuator assembly is positioned for 90° rotation.



MCP-1130



MCP-1030



Connections

- ◆ Use 1/4" (6 mm) O.D. polyethylene tubing.
- ◆ Use only clean, dry control air. No attempt should be made to use any other medium.

NOTE: If the application requires operation near the maximum temperature and maximum pressure, add a tubing restraint to the actuator connection.

1. Connect the signal (0 to 20 psig) to the 3/16" fitting on the base of the actuator.
2. Slowly apply supply pressure to fully stroke the actuator and linkage.
3. Check for any binding. Fine tuning can be accomplished by adjusting the balljoint on the pushrod.

Adjustments



DANGER

The MCP-1030 and MCP-1130 contain a large powerful spring. Exercise extreme caution if disassembly is required. The actuator shaft **MUST** be restrained to prevent the spring from expanding.

Actuators with positioners contain an 8-13 psi spring. A positioner allows the unit to operate over any 5 psi span with the start-point adjustable from 3-10 psi. Replace the 5 psi spring with a 10 psi spring to widen the span.

To change the positioner start-point:

1. Apply the desired signal pressure.
2. Rotate the start-point adjuster until the actuator starts to stroke.

Maintenance

No routine maintenance is required.

Each component is designed for dependable, long term reliability and performance.

KMC Controls
19476 Industrial Drive
New Paris, IN 46553
574.831.5250
www.kmcccontrols.com