

Installation Guide

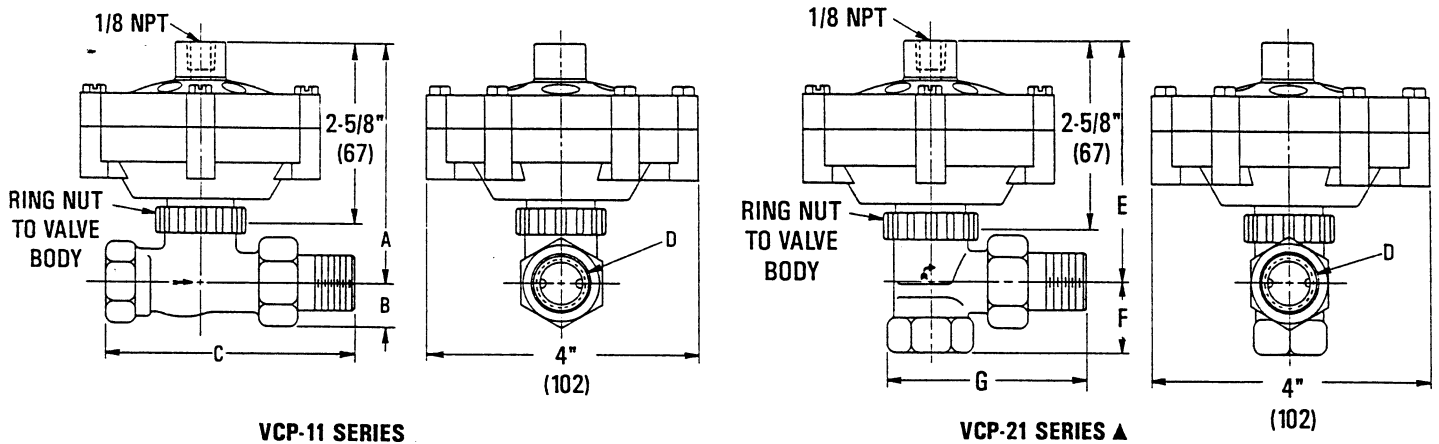
Mounting

The VCP-11 has a straight through flow. The VCP-21 has a right angle body design. Both valve types are normally open. The VCP valves are sized to system demand and are frequently smaller than supply lines.

1. Clean the lines upstream from the valve. Remove any debris > .06" (.15 mm).
2. Install a pipeline strainer just ahead of the valve.
3. Locate the unit as close as possible to the coil in a vertical position (actuator over the valve).
4. Allow sufficient side clearance for servicing the valve. Allow sufficient clearance between the top of the actuator and the nearest obstruction. This permits removal of the actuator yoke and replacement of the bonnet assembly.
5. Align system flow with arrow on valve.

CAUTION: Mount valve with the actuator in the upright position, or at most a 45° angle, to prevent condensation collecting in the actuator housing.

6. Seal valves with approved valve sealant.



SIZE	Cv	MAX. CLOSE-OFF RATINGS IN PSI**			
		8-13 PSI		3-8 PSI	
		15 PSI*	20 PSI*	15 PSI*	20 PSI*
1/2"	2.0	40.8	142.9	142.9	244.9
	2.6	22.5	78.7	78.7	135.0
3/4"	2.9	30.3	106.0	106.0	181.8
	4.7	7.6	26.6	26.6	45.6

* Pressure applied to actuator

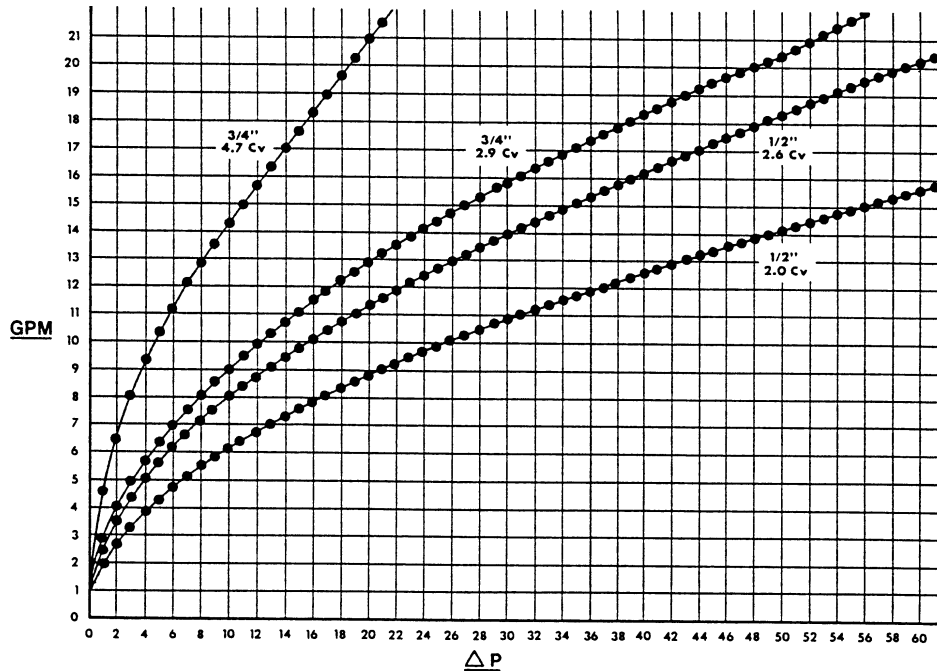
** Not to exceed body rating - 188 psi (1296 kPa) hotwater, 290 psi (1999 kPa) for chilled water

Connections

Connect the main air supply (30 psig max.) to the 1/8" NPT on the top of the unit.

Operations

The units are factory calibrated and should not require any field adjustments. Refer to the following table for operation parameters.



Maintenance

No routine maintenance is required. Each component is designed for dependable, long term reliability and performance. Careful installation will ensure performance. Limit field repairs to replacement of the complete bonnet assembly, actuator or valve disc.

KMC Controls
P.O. Box 497
19476 Industrial Drive
New Paris, IN 46553
574.831.5250
www.kmccontrols.com