

Installation Guide

Mounting

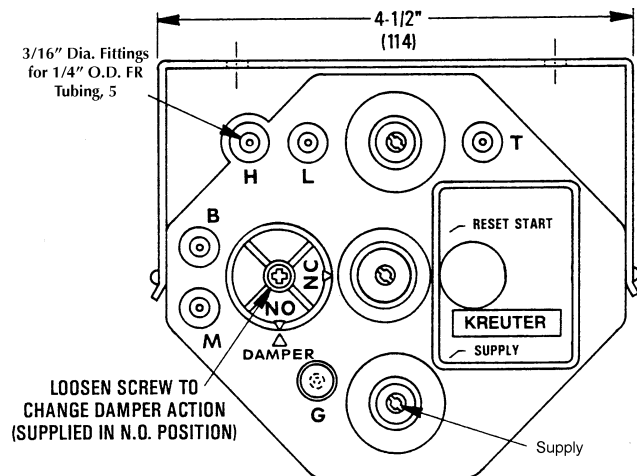
The CSC-3000 Series are position sensitive. They are calibrated to be mounted in a horizontal plane with the face down. Any other orientation will require recalibration of the "Reset Start".

1. Connect the right angle bracket to the mounting surface with 2 self threading screws in the two 3/16" (5 mm) mounting holes.
2. Insert the controller, face down.
3. Make sure to leave enough room to make connections.

Connections

For model CSC-3014, use 1/4" (5 mm) O.D. "FR" tubing, on the following push-on fittings:

1. Connect the clean, dry, main air supply to Port "M".
2. Connect the damper actuator to Port "B".
3. Connect the Thermostat output to Port "T".
4. Connect the total pressure tap on the air flow sensor to Port "H".
5. Connect the static pressure tap on the air flow sensor to Port "L".



Adjustments and Calibration

Damper Action

The damper action is factory set at Normally Open (N.O.). To field select Normally Closed (N.C.):

1. Loosen damper selection screw.
2. Turn selection dial clockwise until the "NC" arrow aligns with the "Damper" arrow.
3. Tighten selection screw.

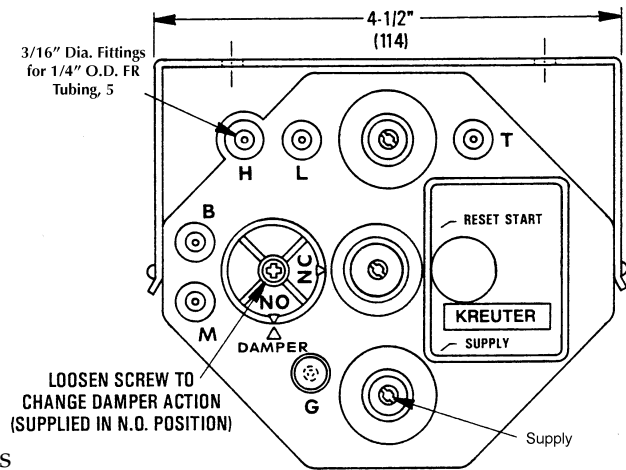
NOTE: If damper action is changed then the Reset Start Point must also be adjusted.

Adjustments and Calibration Continued

Reset Thermostat Start Point:

The thermostat start point is factory set at 3 psi +/- 0.1 psi. To field adjust when mounting other than dials down or for damper action of N.C.:

1. Disconnect total pressure line from Port "H"
2. Disconnect static pressure line for Port "L"
3. Disconnect actuator line from Port "B" and connect the line to a 0 to 30 psi pressure gauge
4. Connect a 0 to 30 psi gauge to Port "G"
5. Adjust thermostat pressure at Port "T" to 3 psi
6. Adjust "Reset Start" (cw to increase when damper is set to N.O.) until pressure at "B" is equal to 7.5 psi (+/- 2.5 psi).
7. Reconnect lines to Ports "H", "L", and "B".
8. Recap Port "G".



Verifying and Adjusting Supply Regulator

The "SUPPLY" regulator is factory set at 18 psi (+/- 0.1). This setting is not affected by mounting position. To verify and/or recalibrate the regulator:

1. Disconnect the thermostat line from Port "T".
2. Connect a 0-30 psi gauge, OR connect the gauge to Port "G" and plug Port "T".
3. Adjust the "SUPPLY" regulator to 18 psi (+/- 0.1).

Maintenance

No routine maintenance is required.

Each component is designed and manufactured for reliability and performance. Careful installation and use will ensure long term dependability.

KMC Controls
P.O. Box 497
19476 Industrial Drive
New Paris, IN 46553
574.831.5250
www.kmcccontrols.com