

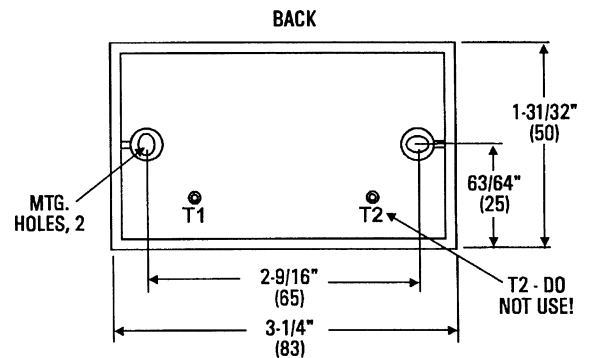
Installation Guide

Mounting

The unit may be mounted horizontally or vertically. Mount the unit in a location where it can accurately sense the average room temperature.

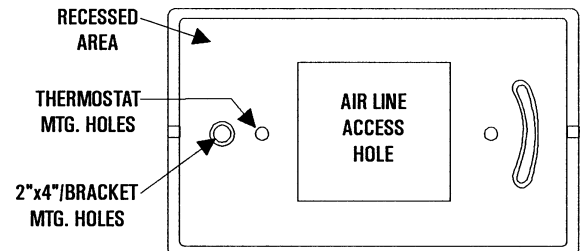
Electrical Handy Box:

1. Mount the backplate (HMO-5024, 5026, 5030 or 5031) to the standard 2" x 4" (51 x 102) handy box with the two painted, oval head, 6-32 screws.
2. Connect the air supply (see "Connections").
3. Mount transmitter to backplate using two 6-20 x 2" screws supplied.



Hollow Wall Mounting - Transmitters may be directly mounted on walls up to 5/8" with the HMO-5023 kit.

1. Using the template, printed on the package, make a 2-11/16" x 1-1/2" cutout.
2. Loosely mount the bracket to the transmitter with two 6-32 x 2" screws supplied.
3. Make all connections per the "Connections" section.
4. Insert the bracket diagonally through the wall.
5. Center transmitter and tighten screws.



Care should be taken not to bend or flex the base of the transmitter.

Connections

The TTC-3001 uses an in-line Restrictor Tee (HFO-0010) and 3/32" I.D. tubing (HFO-0024).

1. Connect clean, dry, main air supply to one leg of the Restrictor Tee.
2. Using tubing, connect the Restrictor Tee to Port "T1".
3. Using tubing, connect the remaining leg of the Tee to end device.

NOTE: DO NOT use Port "T2"

Adjustments and Calibration

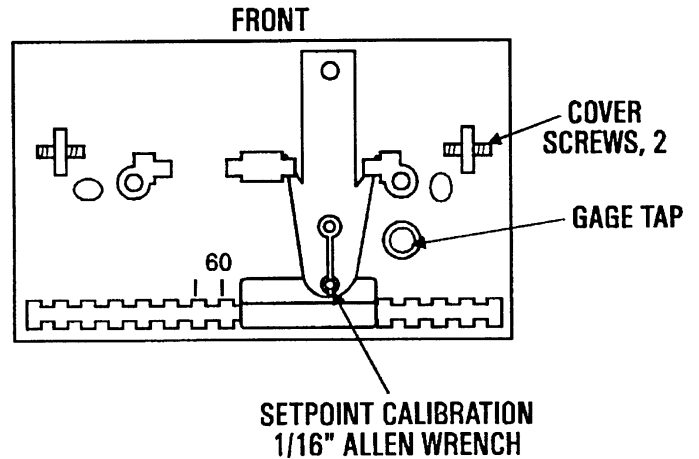
Upon receipt, no thermal calibration should be required.

However if set-point calibration is required:

1. Open the cover remove gauge tap rubber cap.
2. Install a gauge on the tap using 3/32" I.D. tubing.
3. Using an accurate thermometer, measure the ambient temperature at the transmitter.
4. Using a 1/16" hex-key wrench, adjust the calibration screw until the test gauge indicates the desired pressure.

NOTE: Clockwise rotation decreases the output pressure.

5. Replace the gauge cap and cover.



Maintenance

No routine maintenance is required.

Care should be taken to keep the unit clean from dust during installation.

Each component is designed for dependable, long term reliability and performance.

KMC Controls
19476 Industrial Drive
New Paris, IN 46553
574.831.5250
www.kmcccontrols.com