

## Installation Guide

### Mounting

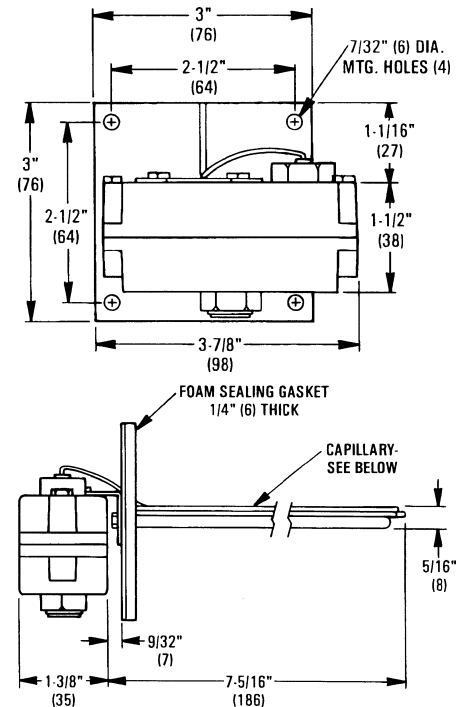
The TTC-1507 Remote Bulb Temperature Transmitter is designed to sense an outside air temperature and transmit a fixed signal to another device. The unit is not position sensitive and may be mounted in any plane.

#### Duct Mounting:

1. Cut a slot 1-3/8" wide by 3/8" high in the duct.
2. Insert the coiled element into the duct.
3. Attach the TTC-1507 to the duct using four self-tapping screws threaded through the 7/32" mounting holes.

#### Direct Sensing:

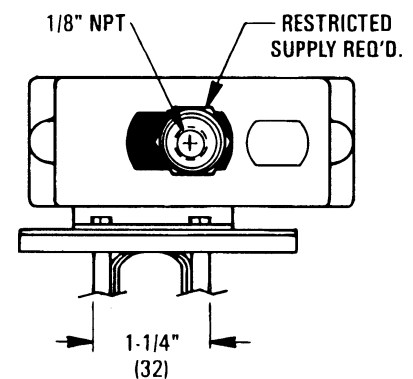
1. Drill a 5/16" hole in the exterior wall.
2. Unwind the element and feed it through the wall.
3. Attach the TTC-1507 to the wall four screws threaded through the 7/32" mounting holes.



### Connections

- ◆ All connections are 1/8" (3 mm) FPT. Depending on the application, use either copper or polyethylene tubing.
- ◆ Use only clean, dry, control air. No attempt should be made to use any other medium.

1. Connect the HFO-0022 (polyethylene tubing) or HFO-0023 (copper tubing) Restrictor Tee in-line in the control air supply.
2. Connect the restricted supply line to the input on the bottom of the TTC.
3. Connect the final device to the open side of the Restrictor Tee.

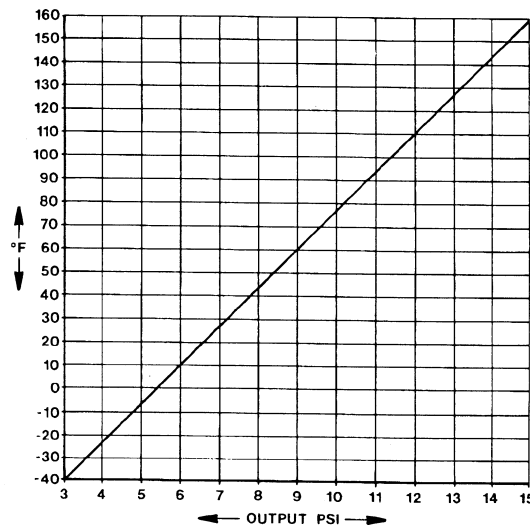


## Adjustments

Each unit is factory calibrated and should not require field adjustment. Refer to the chart to determine output pressures for a given temperature.

Should adjustment be necessary:

1. Attach a pressure gauge to the output.
2. Insert a temperature gauge into the monitored flow.
3. Wait for unit to equalize.
4. Refer to the chart(s) to determine correct psi values.
5. Using a hex-key wrench, turn the "Zero Adjustment" until the output pressure is correct.



## Maintenance

No routine maintenance is required.

The TTC- 1507 Transmitter is designed for dependable, long term reliability and performance.

**KMC Controls**  
19476 Industrial Drive  
New Paris, IN 46553  
574.831.5250  
[www.kmcccontrols.com](http://www.kmcccontrols.com)