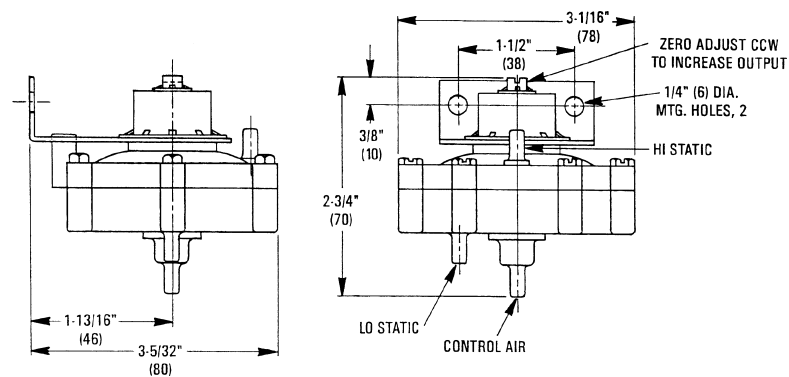


Installation Guide

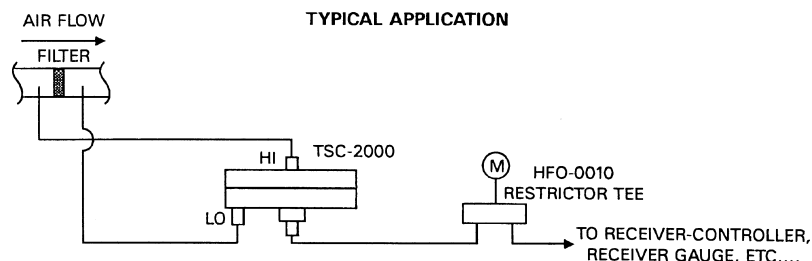
Mounting

1. Align the unit on the mounting surface with the control air connection pointing DOWN.
2. Use two self-tapping screws, inserted through the 1/4" (6 mm) mounting holes, to attach the unit to the mounting surface.



Connections

- ◆ All connections are 1/4" (6 mm) O.D. polyethylene tubing.
 - ◆ Use only clean, dry, control air. No attempt should be made to use any other medium.
1. Insert the HFO-0010 Restrictor Tee in-line to the Control Air Supply line.
 2. Connect the restricted supply line to "Control Air" on the bottom of the unit.
 3. Connect the final device to the open side of the Restrictor Tee.
 4. Connect high input to Port "HI"
 5. Connect low input to Port "LO"



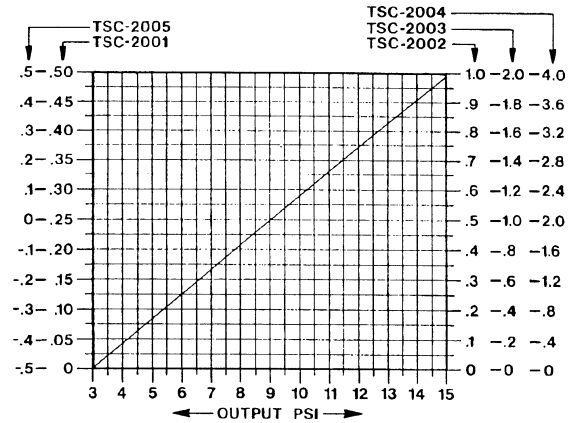
Adjustments

Each unit is factory calibrated and should not require field adjustment. Refer to the chart to determine output pressures for given input pressure across each TSC.

Should adjustment be necessary:

1. Attach a gauge to the output port and refer to the calibration diagram (right) to determine the output to input pressure ratio.
2. Apply equal pressure to all input ports.
3. Wait for unit to equalize.
4. Using a flat-blade screw driver, turn the "Zero Adjustment" until the output pressure is 3 psig (+/- 0.25 psig).

NOTE: Counter Clockwise rotation increases the output.



Maintenance

No routine maintenance is required.

The TSC- 2000 Series Transmitters are designed for dependable, long term reliability and performance.

KMC Controls
19476 Industrial Drive
New Paris, IN 46553
574.831.5250
www.kmcccontrols.com