

Installation Guide

Mounting

The IEE-1000 series are designed for use with the CAE 1003 and 1103 Duct Smoke Detectors to provide remote status indication and control functions.

- ◆ Mount Model IEE-1001 to 1007 in a single gang electrical box.
- ◆ Mount Model IEE-1008 in a double gange (4" x 4") electrical box.

Wiring

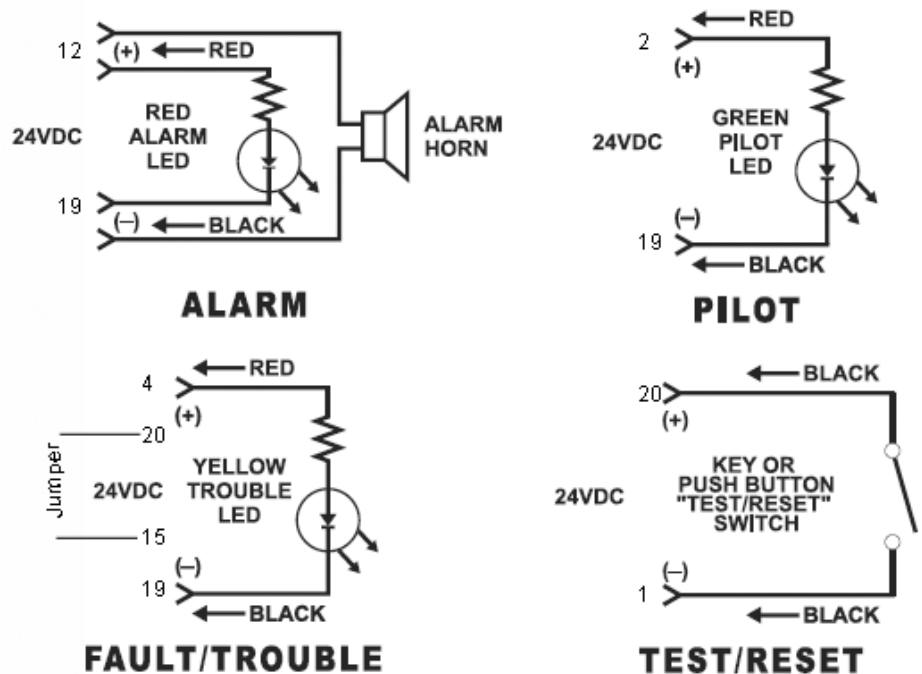
Power Supply

Alarm LED	15 mA at 24 VDC
Trouble LED	15 mA at 24 VDC
Pilot LED	15 mA at 24 VDC
Alarm Horn	20mA at 24 VDC

Wires

LEDs/Horn	6"/ 24 AWG pigtails
Switches	6"/22 AWG pigtails

NOTE: The numbers in the wiring diagram refer to the terminals on the smoke detector.



Maintenance

No routine maintenance is required. Careful installation will also ensure long term reliability and performance.

KMC Controls
 19476 Industrial Drive
 New Paris, IN 46553
 TEL: 574.831.5250
 www.kmccontrols.com