

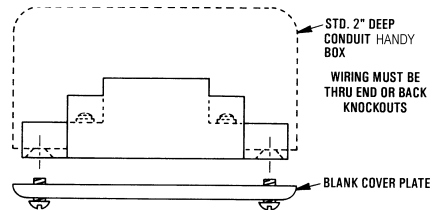
## Installation Guide

### Required Tools

- digital voltmeter
- small phillips screwdriver
- small flatblade screwdriver

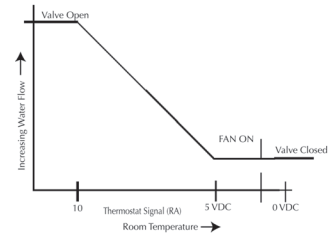
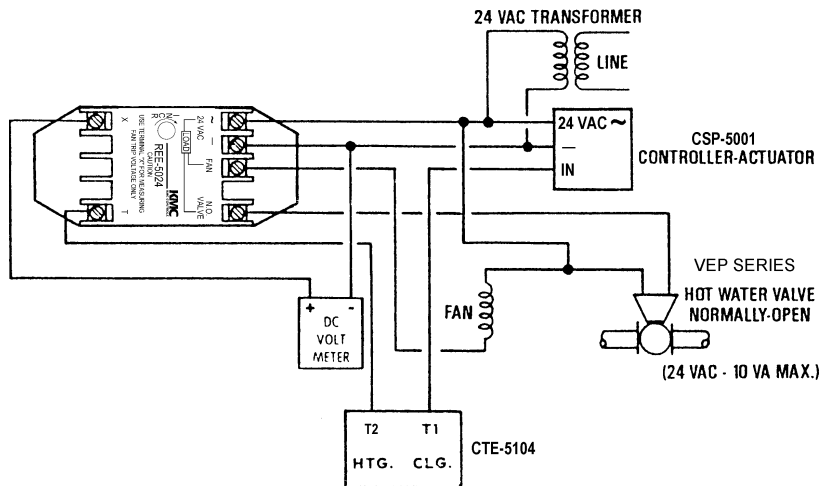
### Mounting

- REE-5024 may be mounted directly to a control box surface or in a 2" x 4" electrical handy box.
- Add a blank cover to conceal the module.



### Wiring

- Wire as shown for an electric hot water valve to providing proportional reheat.
- A DC voltmeter is shown across terminals "X" and "9". This can be used to measure the fan setpoint for recalibration. The setpoint\* is factory set at 2.5 VDC



**\*CAUTION:** Do not set fan setpoint below 0.6V or fan may lock "ON"

### Maintenance

No routine maintenance is required, however protection from extremes of humidity and dirt is recommended.

Careful installation will also ensure long term reliability and performance.

**KMC Controls**  
 P.O. Box 497  
 19476 Industrial Drive  
 New Paris, IN 46553  
 U.S.A.  
 TEL: 574.831.5250  
 FAX: 574.831.5252  
 E-mail: info@kmcccontrols.com