

Installation Guide

Mounting

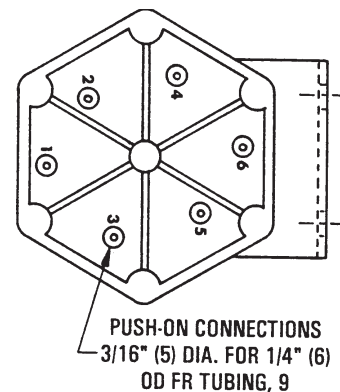
The RCC-1111 is designed for right angle mounting. The relays are not position sensitive. Use the two self-tapping screws, inserted through the bracket's 7/32" mounting holes, to attach the relay to the surface.

Connections

- ◆ All port connections use 1/4" O.D. polyethylene tubing.
 - ◆ Use only clean, dry control air. No attempt should be made to use any other medium.
1. Connect Main air to Port "M" (Main), 20 Psig with 30 psig maximum.
 2. Connect the High output to Port "H".
 3. Connect the Low output to Port "L".

NOTE: If "H" or "L" is not used, cap the input.

4. Connect inputs to Ports "1 to 6" using the lower numbers first. Leave the unused higher inputs open to atmosphere.

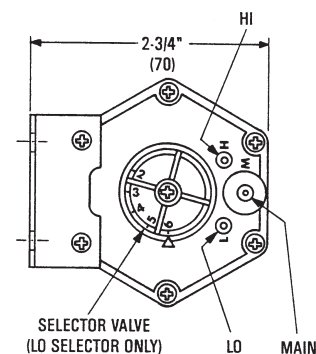


Adjustments

To use a low output function:

1. Loosen the center screw.
2. Rotate the selector valve dial until it matches the number equal to the number of inputs used.
3. Retighten the screw.

The valve does not need to be adjusted for a high output function.



Maintenance

No routine maintenance is required.

The RCC-1111 are designed for dependable, long term reliability and performance.

KMC Controls
19476 Industrial Drive
New Paris, IN 46553
574.831.5250
www.kmccontrols.com