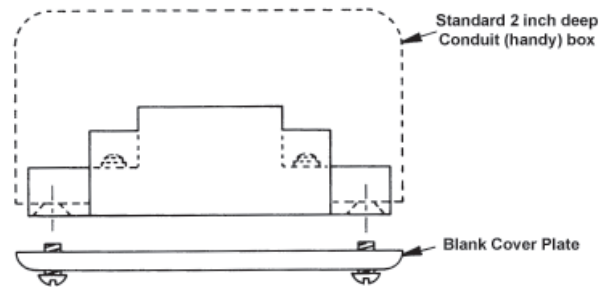


Installation Guide

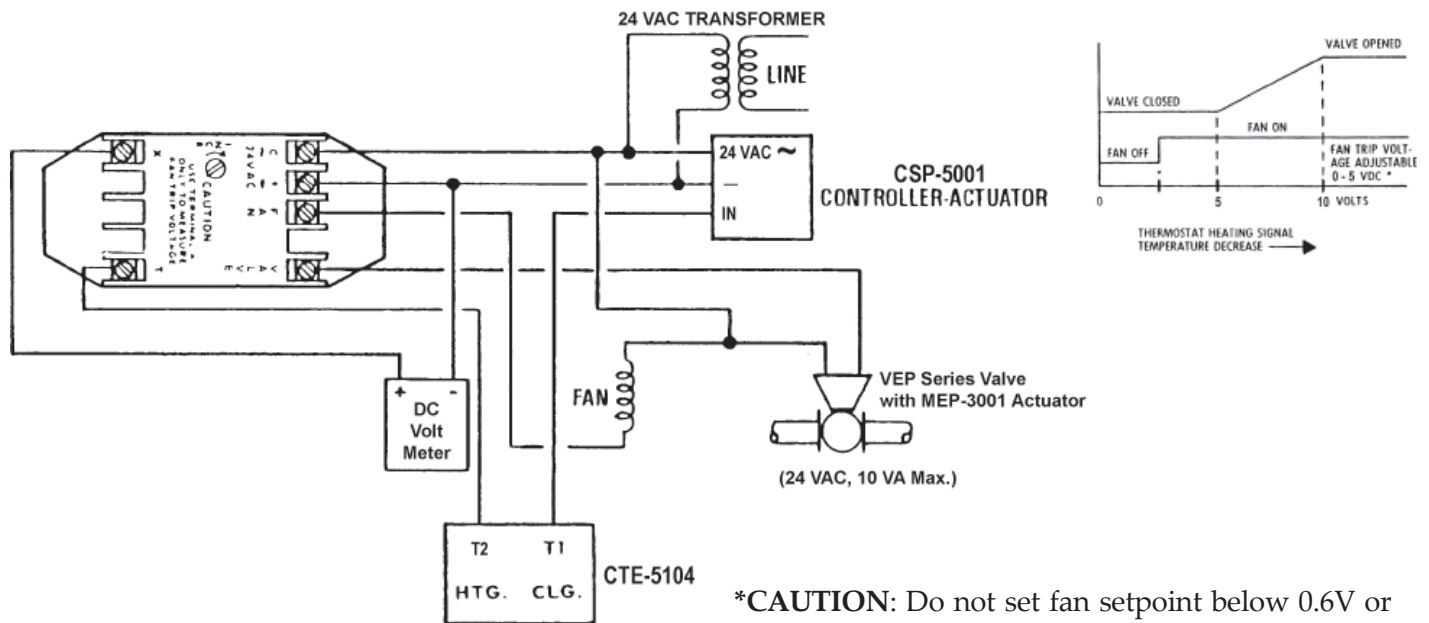
Mounting

- REE-5017 may be mounted directly to a control box surface or in a 2" x 4" electrical handy box.
- Add a blank cover to conceal the module.



Wiring

- Wire as shown for an electric hot water valve with MEP-3001 actuator, providing proportional reheat.
- A DC voltmeter is shown across terminals "X" and "9". This can be used to measure the fan setpoint for recalibration. The setpoint* is factory set at 2.5 VDC.



Maintenance

No routine maintenance is required, however protection from extremes of humidity and dirt is recommended.

Careful installation will also ensure long term reliability and performance.

KMC Controls
P.O. Box 497
19476 Industrial Drive
New Paris, IN 46553
U.S.A.
TEL: 574.831.5250
FAX: 574.831.5252
E-mail: info@kmccontrols.com