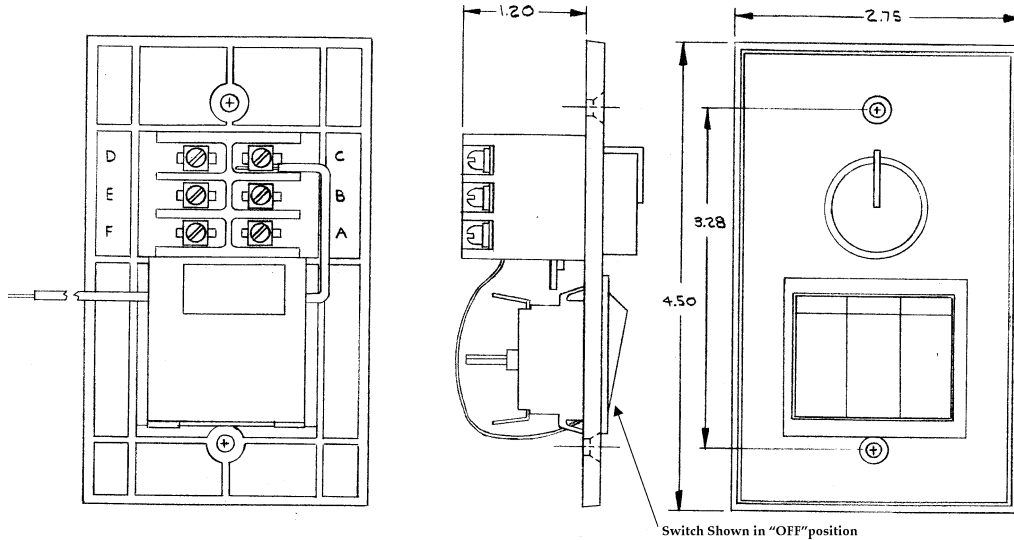


# Installation Guide

## Mounting

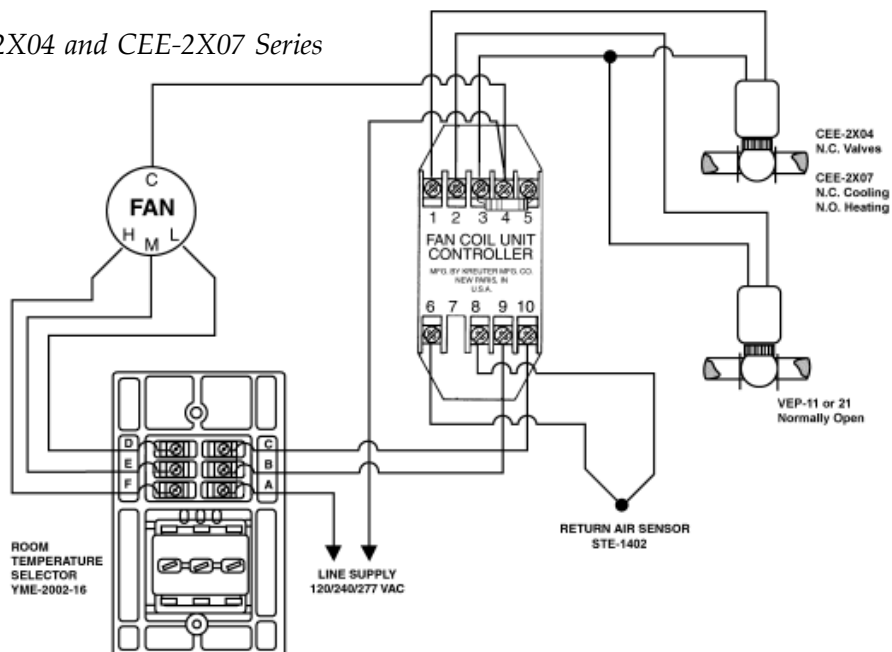
YME-2000 may be mounted in a typical single gang electrical box using the mounting holes.



## Wiring

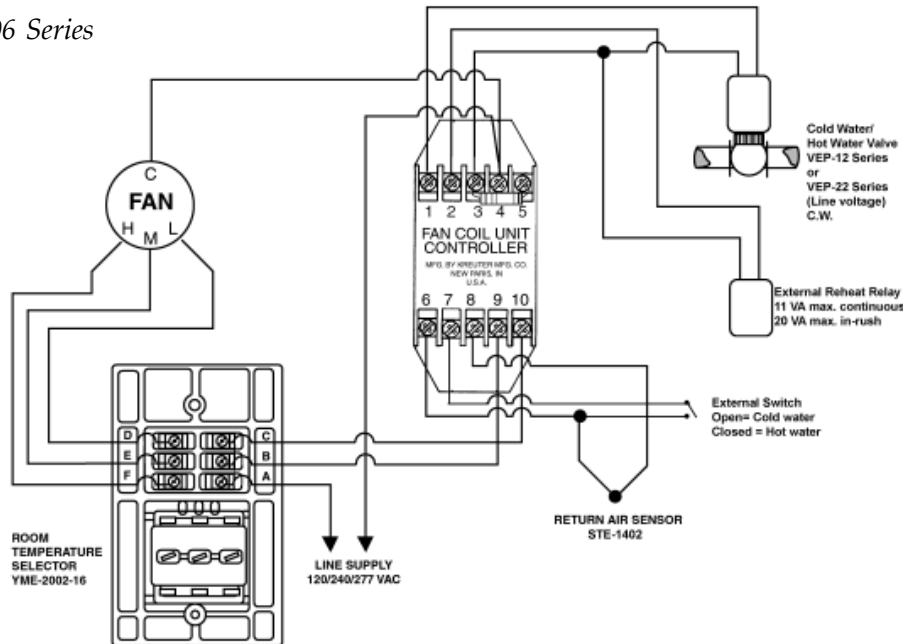
Refer to the typical system wiring diagram for your application.

Diagram for the CEE-2X04 and CEE-2X07 Series



# Wiring Continued

Diagram for the CEE-2X06 Series



## Maintenance

No routine maintenance is required, however protection from extremes of humidity and dirt is recommended.

Careful installation will also ensure long term reliability and performance.

**KMC Controls**  
P.O. Box 497  
19476 Industrial Drive  
New Paris, IN 46553  
TEL: 574.831.5250  
www.kmcccontrols.com