

Installation Guide

Mounting

These models are designed for monitoring fluid temperatures in situations where an immersion sensor cannot be used. Mount the probe in direct physical contact with the pipe and under pipe insulation.

1. For the STE-1454 (only), mount the included case (see the diagram) in a suitable location close to where the probe will be attached to the pipe. Attach conduit to it as needed.

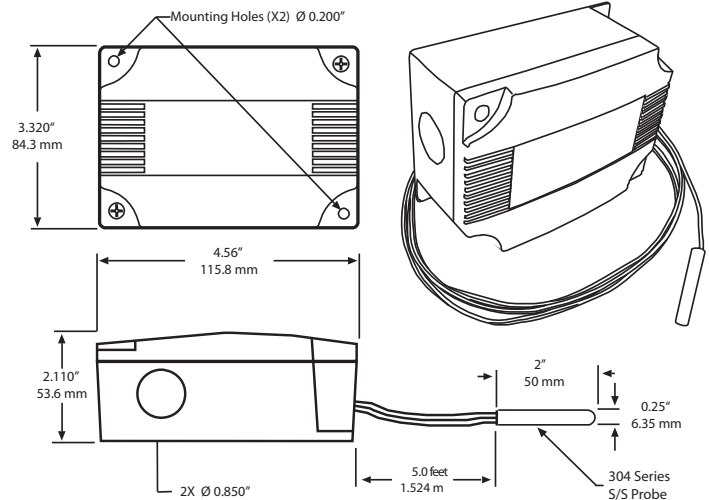
NOTE: The STE-1455 does not include an enclosure.

2. From the probe area, remove any pipe insulation and clean the exterior of the pipe to ensure good contact and heat transfer.

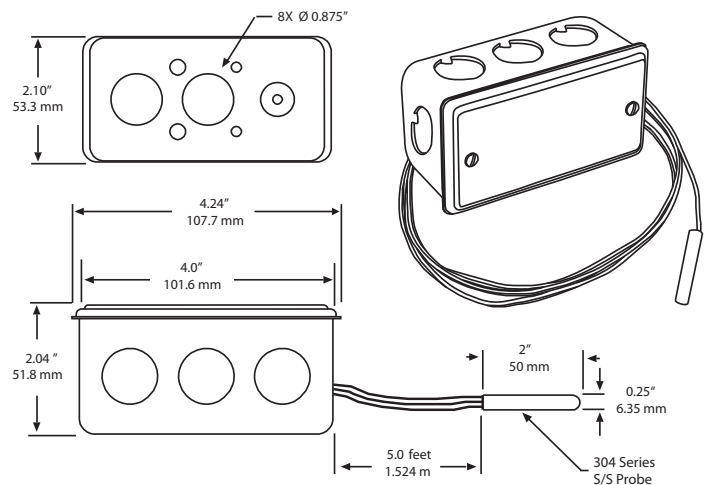
NOTE: For best results, apply thermal conductive compound to the pipe underneath the sensor.

3. Place the sensor probe in direct contact with the pipe and strap the probe to the pipe using metal pipe straps or cable ties.
4. Any extra lead length can be wound around the pipe for extra security.
5. Wrap, or replace, insulation around the sensor to reduce the effect of ambient air temperature.

Plastic Enclosure



Metal Enclosure



Connections and Wiring

1. For the STE-1454, feed the wire leads through the hole in the enclosure and secure with the included grommet.
2. Make connections to the two wire leads with either butt-splices or solder. Using wire nuts is **not** recommended.

NOTE: The two-wire sensor is not polarity sensitive.

Specifications

Sensor	Type III thermistor, 10K ohm @ 77° F (25° C)
Accuracy	±0.36° F (±0.20° C)
Temperature Limits	-4 to 221° F (-20 to 105° C)
Wiring	5 foot (1.52 m) PVC insulated, parallel bonded, 2 wire pigtail, 22 AWG
Probe Material	304 series stainless steel
Probe Dimensions	2" (50 mm) length by 0.25" (6.35 mm) diameter
Enclosure (STE-1454 Only)	Standard: Black flame-retardant plastic, NEMA 12 (IP64) Metal: Galvanized steel, NEMA 1 (IP30)
Mfg. Process	ISO 9001 registered quality system
Regulatory	CE and RoHS compliant

Maintenance

No routine maintenance is required. Each component is designed for dependable, long-term reliability and performance. Careful installation will also ensure long term reliability and performance.

Important Notices

The material in this document is for information purposes only. **The contents and the product it describes are subject to change without notice.** KMC Controls, Inc. makes no representations or warranties with respect to this document. In no event shall KMC Controls, Inc. be liable for any damages, direct or incidental, arising out of or related to the use of this document.

KMC Controls, Inc.
19476 Industrial Drive
New Paris, IN 46553
574.831.5250
www.kmcccontrols.com
info@kmcccontrols.com