

Installation Guide

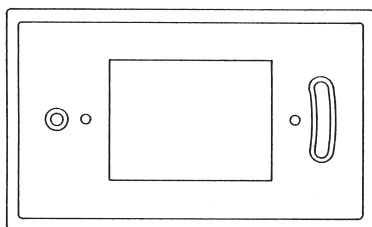
Mounting

Location

Install the sensor on an inside wall where it can sense the average room temperature/humidity and be away from direct sunlight, heat sources, windows, air vents, and air circulation obstructions (curtains, furniture, etc.).

Handy Box Mounting (Recommended)

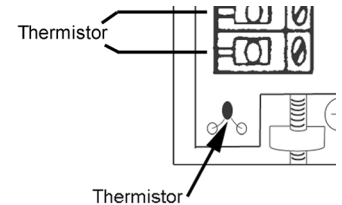
1. Install, but **DO NOT TIGHTEN**, the HMO-5024/5026/5030/5031 mounting plate to a handy box using the two 6-32 screws (included).
2. Adjust and level the backplate (in the vertical or horizontal plane) using the slotted mounting holes and tighten the two mounting screws.
3. Remove the THE-1105's cover by turning the two setscrews (on the side) clockwise (inward) using a 1/16" hex wrench until the cover clears the base.
4. Pull all the wires or wire cable through the backplate's decorative trim plate opening (included with HMO-5024/5026/5030/5031) and through the cable access hole in the THE-1105.
5. Make sure that the humidity sensor is in the lower right corner (vertical installation) or lower left corner (horizontal installation) of the base.
6. Connect the wires (see Wiring section).
7. Mount the THE-1105 to the backplate with the two 6-20 x 2" self-tapping screws (included).
8. Reinstall the cover and lock it by turning the setscrews counter-clockwise (outward).



HMO-50xx Mounting Plate
(Shown in horizontal installation)

⚠ CAUTION

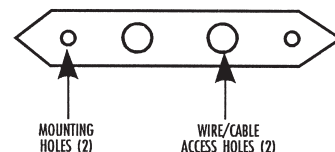
Check that the thermistor leads are not bent and that the thermistor bead is upright (perpendicular to the board) BEFORE reinstalling the cover.



Hollow Wall Mounting

Mounting on a hollow wall up to 5/8" thick can be done with the HMO-5023 or HMO-5001. To mount with an HMO-5023:

1. Using the template, cut a 1-1/2" x 2-11/16" opening in the drywall.
2. Remove the THE-1105's cover by turning the two setscrews (on the side) clockwise (inward) using a 1/16" hex wrench until the cover clears the base.
3. Loosely mount the HMO-5023 bracket to the thermostat (cover removed) using the two 6-32 x 2" screws.
4. Pull the wires through the wire access holes in the HMO-5023 and the THE-1105.
5. Make sure that the humidity sensor is in the lower right corner (vertical installation) or lower left corner (horizontal installation) of the base.
6. Connect the wires (see Wiring section).
5. Insert bracket diagonally, through the wall opening, center and tighten screws.
8. Reinstall the cover and lock it by turning the setscrews counter-clockwise (outward).



HMO-5023 Drywall Mounting Kit

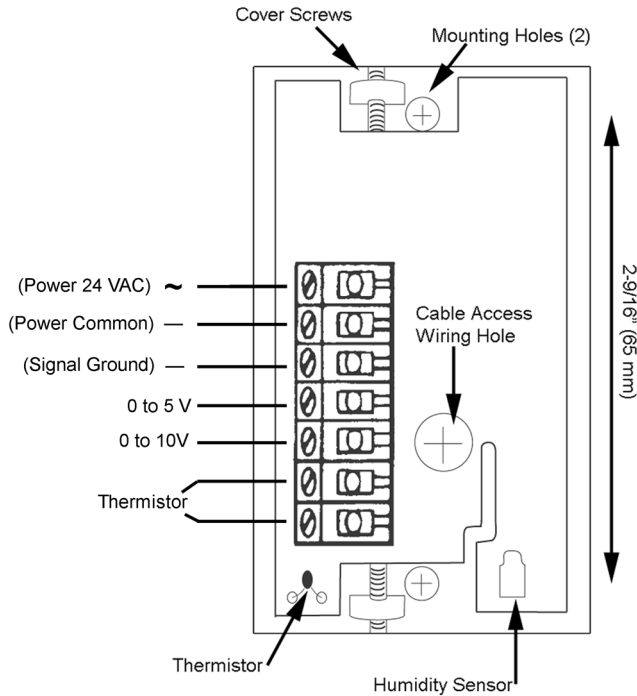
Wiring

⚠ CAUTION

Use only a 24 VAC, Class 2 transformer for power.

⚠ CAUTION

Excess wire inside the THE-1105 may cause damage to the thermistor. Be careful when wiring and replacing the unit's cover.



NOTE: Use 18–22 AWG stranded wire with a maximum length of 250 feet.

1. Connect the 24 VAC (–15%/+20%, Class 2 ONLY) transformer, carefully observing the phasing. (See the wiring diagram.)
2. Connect the humidity transmitter output, selecting either 0 to 10 VDC and Signal Ground or 0 to 5 VDC and Signal Ground.
3. Connect the temperature sensor (Type II 10K thermistor) if required.

Maintenance

Careful installation will also ensure long-term reliability and performance. Remove dust as necessary from holes in top and bottom. Clean with a soft, damp cloth and mild soap.

More Information

For specifications and accessory information, see the [THE-1105 Data Sheet](#).

For controller/software configuration for the **humidity input**, see the relevant documentation for the controller and software. For controller/software configuration for the **thermistor input** as well as mounting considerations, troubleshooting, and other information, see also the **relevant** sections in the [STE-6010/6011/6013/6015 Room Temperature Sensors Application Guide](#).



Important Notices

The material in this document is for information purposes only. **The contents and the product it describes are subject to change without notice. KMC Controls, Inc. makes no representations or warranties with respect to this document.** In no event shall KMC Controls, Inc. be liable for any damages, direct or incidental, arising out of or related to the use of this document.

KMC Controls, Inc.
19476 Industrial Drive
New Paris, IN 46553
574.831.5250
www.kmcccontrols.com
info@kmcccontrols.com