

Description

The KMC VCP-11 and VCP-21 Series Pneumatic Control Valves are designed to control hot or chilled water.

The VCP-11 series are straight-through flow and the VCP-21 series are right angle flow. Both are available in 1/2" and 3/4" sizes. The valves have pneumatic actuators consisting of a glass-filled nylon housing and a neoprene diaphragm.

The VCP-11 and 21 Series are compact, easily installed in small enclosures, and ideal for use with exposed finned tube convectors or cast iron radiators.



Features

- ◆ Straight through or right angle flow
- ◆ Available in 1/2" and 3/4" sizes
- ◆ Ideal for use in small enclosures

Models

Straight-Through Flow Valves:

VCP-11140141	1/2", 1.6 Cv, 3-8 psi
VCP-11140142	1/2", 1.6 Cv, 8-13 psi
VCP-11150141	1/2", 2.0 Cv, 3-8 psi
VCP-11150142	1/2", 2.0 Cv, 8-13 psi
VCP-11160141	1/2", 2.6 Cv, 3-8 psi
VCP-11160142	1/2", 2.6 Cv, 8-13 psi
VCP-11170141	3/4", 2.9 Cv, 3-8 psi
VCP-11170142	3/4", 2.9 Cv, 8-13 psi
VCP-11180141	3/4", 4.25 Cv, 3-8 psi
VCP-11180142	3/4", 4.25 Cv, 8-13 psi

Right Angle Flow Valves:

VCP-21140141	1/2", 1.6 Cv, 3-8 psi
VCP-21140142	1/2", 1.6 Cv, 8-13 psi
VCP-21150141	1/2", 2.0 Cv, 3-8 psi
VCP-21150142	1/2", 2.0 Cv, 8-13 psi
VCP-21160141	1/2", 2.6 Cv, 3-8 psi

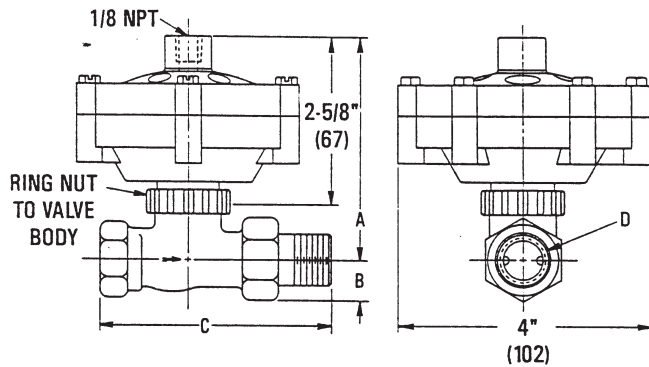
VCP-21160142	1/2", 2.6 Cv, 8-13 psi
VCP-21170141	3/4", 2.9 Cv, 3-8 psi
VCP-21170142	3/4", 2.9 Cv, 8-13 psi
VCP-21180141	3/4", 4.25 Cv, 3-8 psi
VCP-21180142	3/4", 4.25 Cv, 8-13 psi

Accessories/Repair Parts

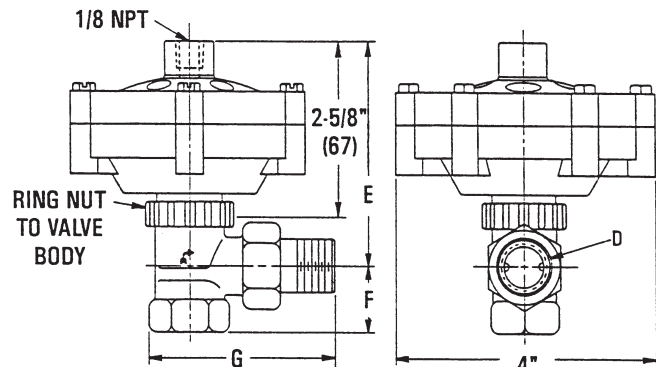
HPO-5030	Bonnet assembly; 1/2", 2.0 C
HPO-5031	Bonnet assembly; 1/2", 2.6 Cv
HPO-5032	Bonnet assembly; 3/4", 2.9 Cv
HPO-5033	Bonnet assembly; 3/4", 4.7 Cv
HPO-5066	Replacement disc; 1/2", 2.6 Cv
HPO-5067	Replacement disc; 3/4", 2.9 Cv
HPO-5068	Replacement disc; 3/4", 4.7 Cv
HPO-5114	Actuator diaphragm
MCP-6001	3-8 psi actuator
MCP-6002	8-13 psi actuator

Details

All dimensions in inches (mm)



VCP-11 SERIES ▲



VCP-21 SERIES ▲

DIMENSION	A	B	C	D	E	F	G
1/2" VALVE BODY	3-7/16" (87)	21/32" (17)	3-21/32" (93)	1/2 NPT	3-3/8" (86)	1" (25)	2-13/16" (71)
3/4" VALVE BODY	3-1/2" (89)	51/64" (20)	4-1/8" (105)	3/4 NPT	3-27/64" (87)	1-7/64" (28)	3-1/4" (83)

SIZE	Cv	MAX. CLOSE-OFF RATINGS IN PSI**			
		8-13 PSI		3-8 PSI	
		15 PSI*	20 PSI*	15 PSI*	20 PSI*
1/2"	2.0	40.8	142.9	142.9	244.9
	2.6	22.5	78.7	78.7	135.0
3/4"	2.9	30.3	106.0	106.0	181.8
	4.7	7.6	26.6	26.6	45.6

* Pressure Applied To Actuator

** Not To Exceed Body Rating

Specifications

Action	Normally open
Body Ratings	188 psi (1296 kPa) @ 212°F 290 psi (1999 kPa) @ 35.6°
Connections	Female Inlet, Male Outlet
Material	
Seat	Bronze
Packing	Double O-ring
Trim	Stainless steel
Disc	High spec. EPDM rubber
Diaphragm	Neoprene
Actuator Housing	Glass-filled nylon
Air Pressure	30 psi (207 kPa) max.
Cv Rating	1/2" = 2.0 & 2.6 3/4" = 2.9 & 4.7

Weight

VCP-11140141/142	1.15 lbs./ 0.52 kg
VCP-11150141/142	1.15 lbs./ 0.52 kg
VCP-11160141/142	1.15 lbs./ 0.52 kg
VCP-11170141/142	1.40 lbs./ 0.64 kg
VCP-11180141/142	1.55 lbs./ 0.70 kg
VCP-21140141/142	1.15 lbs./ 0.52 kg
VCP-21150141/142	1.05 lbs./ 0.48 kg
VCP-21160141/142	1.05 lbs./ 0.48 kg
VCP-21170141/142	1.30 lbs./ 0.59 kg
VCP-21180141/142	1.45 lbs./ 0.66 kg

Temperature Limits

Medium	35.6° to 212° F (2° to 100° C)
Ambient	40° to 180° F (4.4° to 82° C)
Shipping	-40° to 180° F (-40° to 82° C)

KMC Controls, Inc.

19476 Industrial Drive

New Paris, IN 46553

574.831.5250

www.kmcccontrols.com