

Description

The KMC VCP-3420 Series are 3/4", 3-way diverting valves for control of hot or chilled water. These valves are designed to control VAV reheat coils, fan coil units, and induction units.

The VCP-3420s are available with either a 3–8 psi (21–55 kPa) or a 8–13 psi (55–90 kPa) pneumatic actuator.

The valves are compact and install easily into small enclosures. Their glass-filled nylon housing and neoprene diaphragm construction make them ideal for rugged environments.

Features

- ◆ Three-way diverting flow
- ◆ Available in 3/4" NPT
- ◆ Ideal for use in small enclosures

Models

VCP-34200141	3/4", 4.9 Cv, 3–8 psi
VCP-34200142	3/4", 4.9 Cv, 8–13 psi

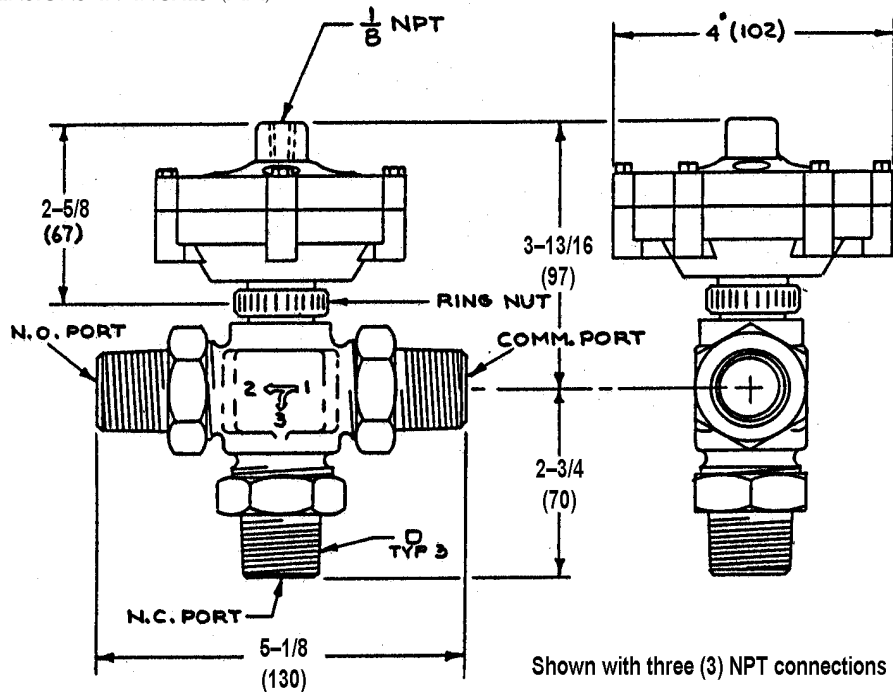


Accessories/Repair Parts

HPO-5033	3/4" Bonnet assembly, includes packing, disc, stem.
HPO-5017	3/4" Gasket
HPO-5021	3/4" Union nut
HPO-5026	3/4"NPT nipple (3 required)
HPO-5028	3/4" Optional sweat fitting
HPO-5070	3/4" Replacement disc
HPO-5114	Actuator diaphragm
MCP-6001	3–8 psi Actuator
MCP-6002	8–13 psi Actuator
VFP-342001	Replacement valve body

Details

ALL DIMENSIONS IN INCHES (MM)



MODEL NUMBER	SIZE	Cv	SPRINGS RANGE	CLOSE OFF N.O. PORT*	
				15 PSI	20 PSI
VCP-34200141	3/4"	4.9	3-8 PSI	44.8	76.8
VCP-34200142	3/4"	4.9	8-13 PSI	12.8	44.8

*N.C. port is a metal to metal seat and may not be leak tight

Specifications

Action	3-way diverting	Air Pressure	30 psi (207 kPa) max.
Body Ratings	188 psi (1296 kPa) @ 212° F 290 psi (1999 kPa) @ 35.6° F	Cv Rating	$3/4'' = 4.9$
Connections	Female Inlet, Male Outlet	Temperature Limits	Medium 35.6° to 212° F (2° to 100° C) Ambient 40° to 180° F (4.4° to 82° C) Shipping -40° to 180° F (-40° to 82° C)
Actuator Size	4.9 sq. in. (31.6 cm ²)	Weight	2.13 lbs. (0.97 kg)
Material			
Seat	Bronze		
Packing	Double O-ring		
Stem	Stainless Steel		
Trim	Stainless Steel		
Disc	High spec. EPDM rubber		
Diaphragm	Neoprene		
Actuator Housing	Glass-filled nylon		

KMC Controls, Inc.
19476 Industrial Drive
New Paris, IN 46553
574.831.5250
www.kmcccontrols.com