

Receiver Controller, Single/Dual Input w/ Remote Setpoint Adjustment, Low Volume

Description and Application

The KMC CCC-1001 Receiver Controller is a pneumatic proportional controller designed for use with pneumatic transmitters, or 3 to 15 psi (21 to 103 kPa) pneumatic devices, to control valves, and actuators in HVAC systems.

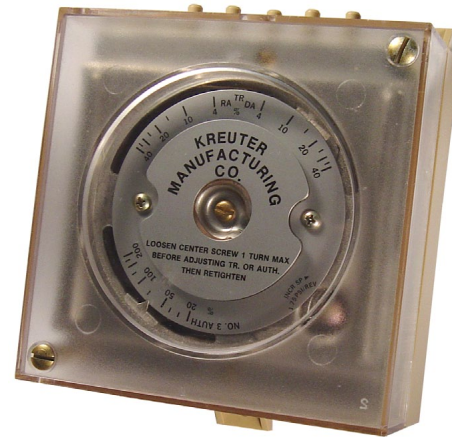
The CCC-1001's single or dual inputs accept 3 to 15 psi (21 to 103 kPa) signals. Field selectable proportional band direct or reverse action, setpoints, and an optional remote setpoint adjustment add extra flexibility. The unit's authority is adjustable from 20 to 200% of the primary input signal.

The CCC-1001 is designed to control valves, and actuators in HVAC systems. It is also designed to work with pressure switches, receiver gauges, relays, and temperature transmitters. It is particularly suitable for "low limit" applications.

For "high volume" applications, with an output capacity of 200 scim (55 mL/s), use the CCC-1002 Receiver Controller.

Features

- ◆ Dual inputs
- ◆ Remote setpoint adjustment
- ◆ Field selectable, proportional, direct or reverse action
- ◆ Adjustable throttling range and authority
- ◆ Low limit applications



RoHS
COMPLIANT



Still ... Made in the U.S.A.

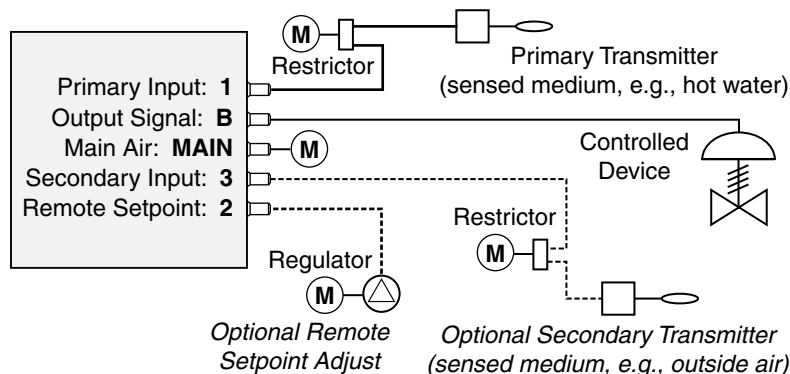
Accessories

An external **28.8 scim restrictor** might be required if replacing a receiver/controller using internal restrictors. All transmitters used with the CCC-1001 require an external restrictor.

For **other pneumatic accessories**, such as connectors, tubing, fittings, filters, and gauges, see the Compressed Air Accessories section in the Electronic and Pneumatic Controls Condensed Catalog (SP-071).

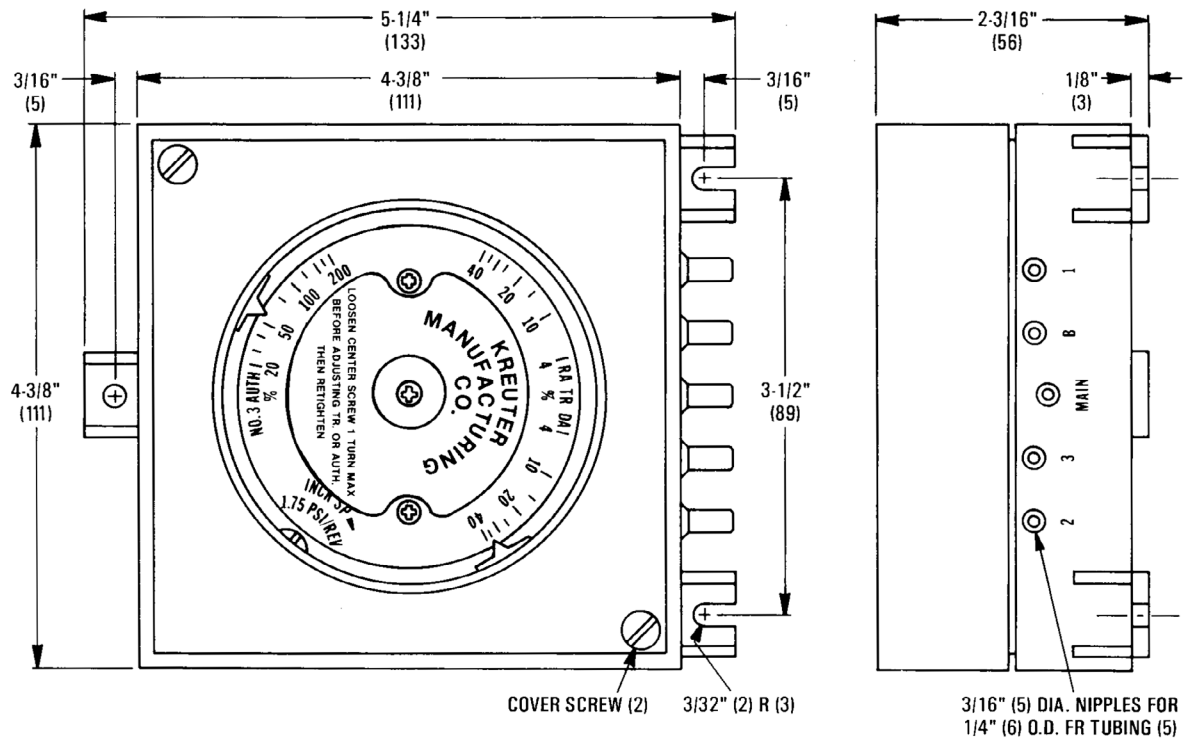
⚠ CAUTION

Pneumatic devices must be supplied with clean, dry control air. Any other medium (e.g., oil or moisture contamination) will cause the device to fail.



Dimensions

All dimension in inches (mm).



Specifications

Pressure Supply	20 psig (138 kPa)	Weight	21 oz. (595 grams)
Max.	30 psig all ports (207 kPa)	Material	
Air Consumption	43.2 scim max. (11.8 mL/s)	Base	Flame retardant plastic
Output Capacity	43.2 scim (11.8 mL/s)	Levers, Flexures	Stainless steel
Setpoint	1.75 psi (12 kPa)/ rev. adjustable	Diaphragms	Neoprene
Throttling Range	4 to 40%	Finish	Beige with clear cover
Action	Direct or Reverse	Temperature Limits	
Authority	20 to 200% of primary input	Operating	40 to 120° F (4 to 49° C)
Remote Setpoint	+/-10% of primary input span, direct acting	Shipping	-40 to 140° F (-40 to 60° C)
Inputs		Approvals	RoHS compliant
Port 1	Primary signal 3 to 15 psig (21 to 103 kPa)		
Port 2	Remote setpoint adjustment 3 to 15 psig		
Port 3	Secondary signal 3 to 15 psig		
Output	Port "B" branch		
Connections	3/16" (5 mm) nipples for 1/4" (6 mm) OD polyethylene tubing		

KMC Controls, Inc.

19476 Industrial Drive

New Paris, IN 46553

574.831.5250

www.kmcccontrols.com

info@kmcccontrols.com