

Receiver Controller, Single/Dual Input w/ Remote Setpoint Adjustment, High Volume

Description and Application

The CCC-1002 is a pneumatic, proportional control device. Use it with 3 to 15 psi pneumatic transmitters or sensors for controlling valves and actuators in HVAC systems.

Proportional band action, authority, and setpoint are easily adjustable. Single or dual inputs can be used along with an optional remote setpoint adjustment.

The setpoint dial applies to port "1" and is marked from 3 to 15 psi. Adhesive dials (ordered separately) are available to match the ranges of KMC Controls pneumatic transmitters.

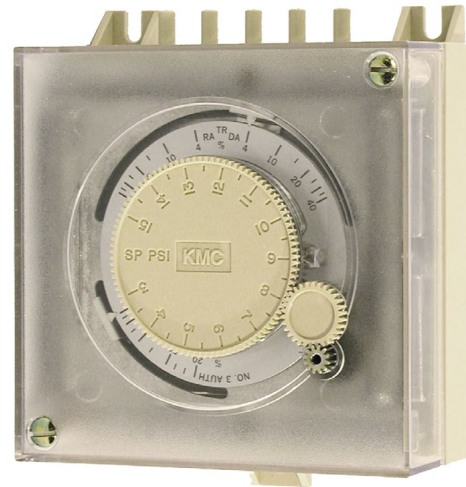
With the inputs and features included, it is particularly suitable for most control applications requiring a receiver controller. (For "low volume" applications, see the CCC-1001 Receiver Controller.)

The CCC-1002 is designed to work with pressure switches, receiver gauges, relays, and temperature transmitters. Its applications include controlling temperature, humidity, pressure or static pressure, and even flow used in air handlers, boilers, hot water and steam convertors that require single setpoint, reset control, or even remote setpoint. It can be used for setpoint reset in applications such as AHU discharge or mixed air temperature control, boiler water reset control, and steam to water converter (heat exchanger) control.

The CCC-1002 can replace many competitor single/dual-input receiver/controllers such as:

- ◆ Barber-Colman (Schneider Electric) RKS-1001/2001/3002/4002
- ◆ Honeywell RP908A/RP908B/RP920A/RP920B
- ◆ Johnson T-9000 and T-5801/5802
- ◆ Robertshaw (Schneider Electric) P341 and 2341
- ◆ Siemens 185 and 195 series

NOTE: An external 28.8 scim restrictor might be required if replacing a receiver/controller using internal restrictors. All transmitters used with the CCC-1002 require an external restrictor.



RoHS
COMPLIANT



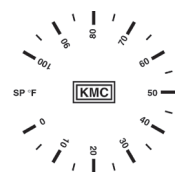
Features

- ◆ Dual inputs
- ◆ Remote setpoint adjustment
- ◆ Field selectable, proportional, direct or reverse action
- ◆ Adjustable throttling range and authority
- ◆ Nearly "universal" replacement for single/dual-input receiver/controllers

Accessories

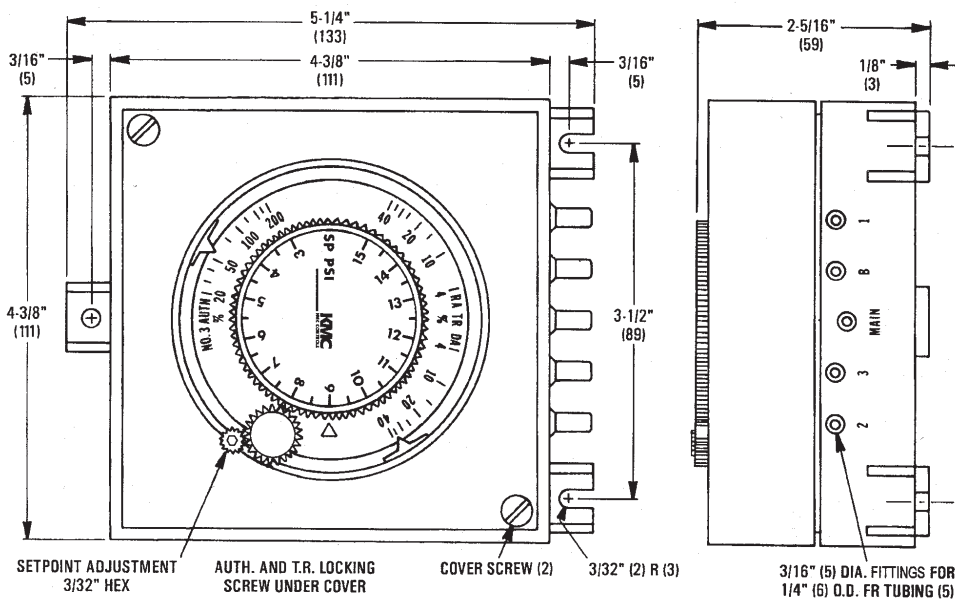
Adhesive Dials:

HDO-2333	0 to 100° F (shown)
HDO-2337	-40 to 160° F



For **other pneumatic accessories**, such as connectors, tubing, fittings, filters, and gauges, see the Compressed Air Accessories section in the Electronic and Pneumatic Controls Condensed Catalog (SP-071).

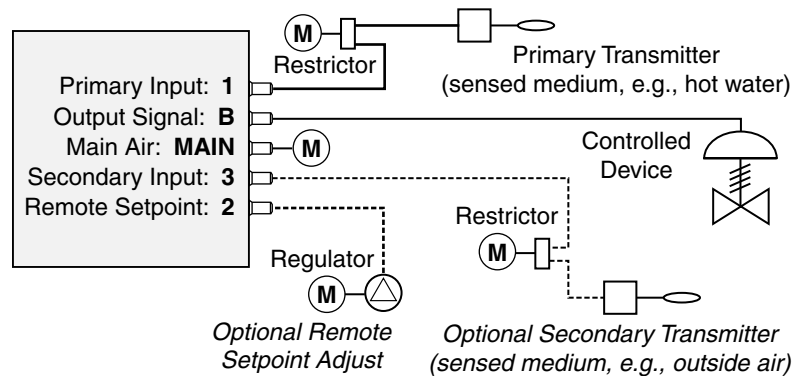
Dimensions and Connections



All dimensions are in inches (mm)

CAUTION

Pneumatic devices must be supplied with clean, dry control air. Any other medium (e.g., oil or moisture contamination) will cause the device to fail.



Specifications

Pressure Supply	20 psig (138 kPa)
Max.	30 psig all ports (207 kPa)
Air Consumption	43.2 scim max. (11.8 mL/s)
Output Capacity	200 scim (55 mL/s)
Setpoint	1.75 psi (12 kPa)/ rev. adjustable
Throttling Range	4% to 40%
Action	Direct or Reverse
Authority	20% to 200% of primary input
Remote Setpoint	+/- 10% of primary input span, direct acting
Inputs	
Port 1	Primary signal 3 to 15 psig (21 to 103 kPa)
Port 2	Remote setpoint adjustment 3 to 15 psig
Port 3	Secondary signal 3 to 15 psig
Output	Port "B" branch

Connections	3/16" (5 mm) nipples for 1/4" (6 mm) OD polyethylene tubing
Weight	21 oz. (595 grams)
Material	
Base	Flame-retardant plastic
Levers, Flexures	Stainless steel
Diaphragms	Neoprene
Finish	Beige with clear cover
Temperature Limits	
Operating	40 to 120° F (4 to 49° C)
Shipping	-40 to 140° F (-40 to 60° C)
Approvals	RoHS compliant

KMC Controls, Inc.

19476 Industrial Drive, New Paris, IN 46553

574.831.5250

www.kmcccontrols.com; info@kmcccontrols.com