

# RCC-1111

## Multiple Input, High and Low Pressure Selector Relay

### Description and Application

The RCC-1111 multiple input selector relay is designed for selection of the lowest and/or highest of 6 different pneumatic inputs.

It is a restricted device designed for pilot-duty operation. If a large output volume is required, use a volume booster relay. For applications requiring a "low" output, the integral selector valve must be set for the correct number of inputs. If a "high" output is required, this dial does not need to be set.

The RCC-1111 can be mounted in-line or by using the included right-angle bracket.



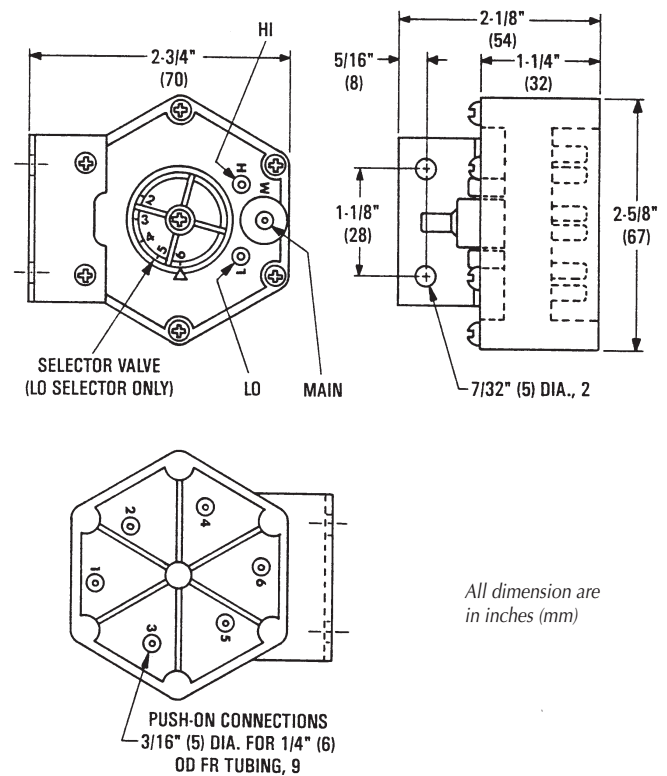
### Features

- ◆ Designed for pilot-duty operation
- ◆ Selects the lowest and/or highest of up to 6 different pneumatic inputs
- ◆ May be mounted in-line or with a right-angle bracket

### Specifications

<b>Supply Pressure</b>	20 psig (138 kPa) 30 psig (207 kPa) maximum
<b>Air Consumption</b>	28.8 scim (7.85 mL/s)
<b>Connection</b>	3/16" (5 mm) nipple for 1/4" (6 mm) OD polyethylene tubing
<b>Material</b>	Flame-retardant plastic
<b>Weight</b>	3.5 oz. (99 grams)
<b>Temperature Limits</b>	
Operating	40 to 120° F (4 to 29° C)
Shipping	-40 to 140° F (-40 to 60° C)

### Dimensions and Details



### ⚠ CAUTION

Pneumatic devices must be supplied with clean, dry control air. Any other medium (e.g., oil or moisture contamination) will cause the device to fail.

**KMC Controls, Inc.**

19476 Industrial Drive, New Paris, IN 46553

574.831.5250

www.kmcccontrols.com; info@kmcccontrols.com