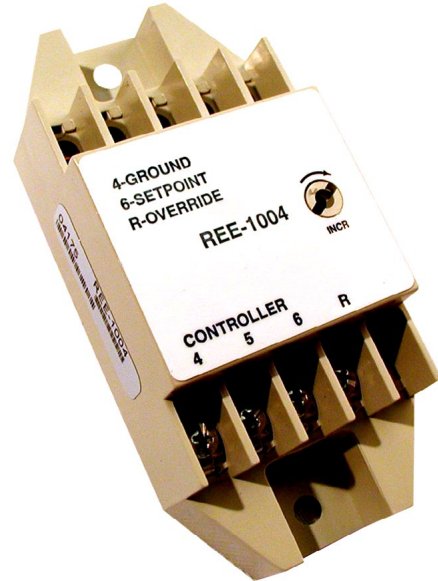


Description

The KMC REE-1004 Relay Module is designed for constant volume control of VAV terminal units in HVAC systems. Used in conjunction with specific CEE/CEP/CSE/CSP series of controller-actuators, it is capable of controlling a terminal at a constant setting, but has the ability to drive it fully open or closed with a contact closure. Since the desired air flow setting is made at the relay module, no room thermostat is required.

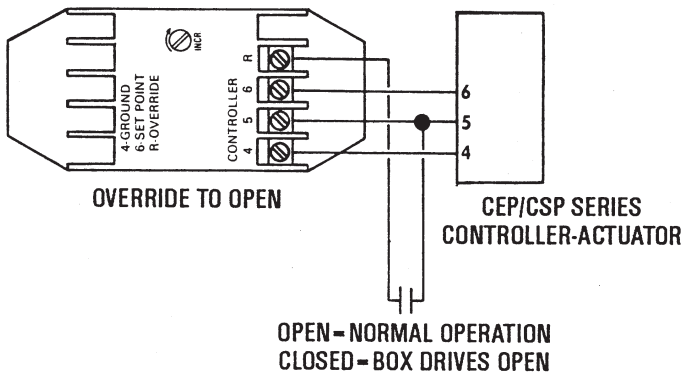
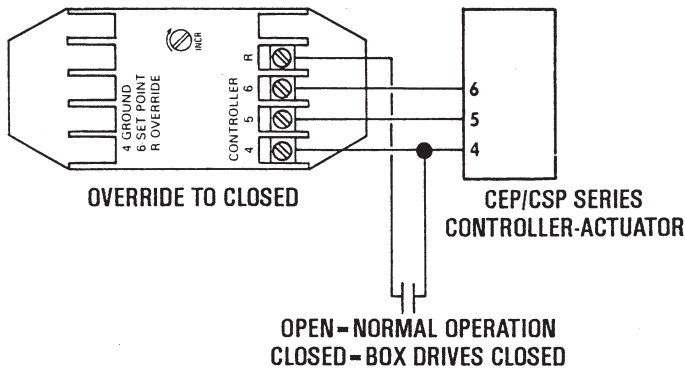
KMC Relay Modules are intended for use with the following controller/actuators:

- CEE-4000 Series
- CEP-4000 Series
- CSE-4000 Series
- CSP-4000 Series



Features

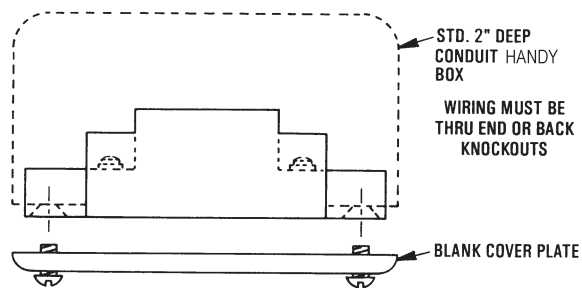
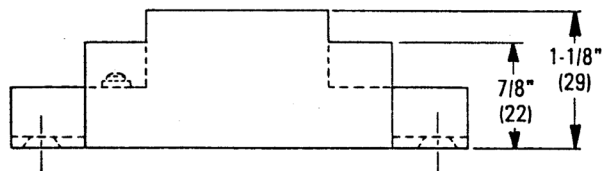
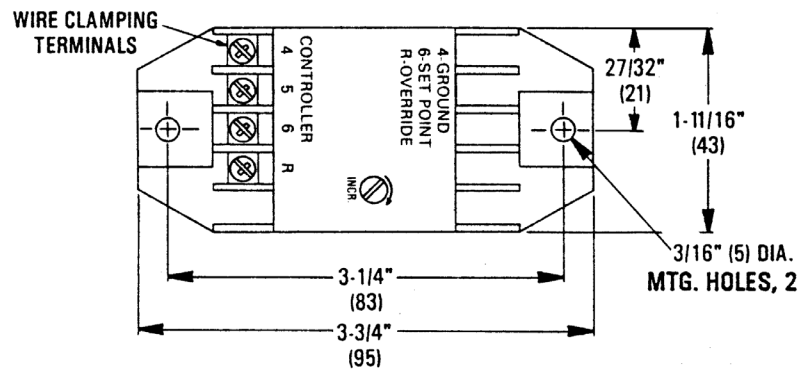
- ◆ Flow control without a thermostat
- ◆ Override option to full-open or full-closed



Specifications

Supply Voltage	9.1 to 18 VDC (2 mA)
Connections	Plated screw terminals
Wire Size	14 to 22 AWG, stranded
Material	Flame-retardant plastic
Weight	2 oz. (57 grams)
Approvals	SASO PCP Registration KSA R-103263
Temperature Limits	
Operating	40 to 120° F (4 to 49° C)
Shipping	-40 to 140° F (-40 to 60° C)

All dimensions are in inches (mm)



KMC Controls, Inc.

19476 Industrial Drive, New Paris, IN 46553

574.831.5250

www.kmcccontrols.com

info@kmcccontrols.com