

### Description

The KMC REE-1012 relay modules are designed for use with the CTE-1000/1100/5000 series room thermostats. They provide the capability for setting minimum and maximum limits remote from the thermostat.

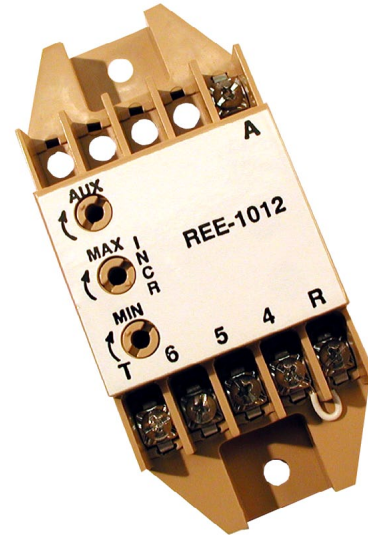
When used with a thermostat in a VAV system, the REE-1012 maintains the minimum and maximum cfm setpoints to the CEP/CEE/CEP/CSP series flow controller.

REE-1012 Relay Modules are intended for use with the following controllers/actuators:

- CEE-4000 Series
- CEP-4000 Series
- CSE-4000 Series
- CSP-4000 Series
- CEP-5001/5002

### Features

- ◆ Remotely set minimum and maximum limits from the thermostat
- ◆ Simple installation



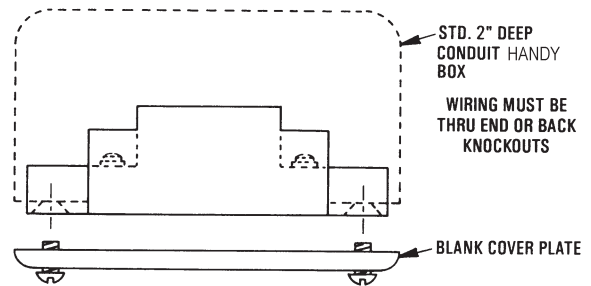
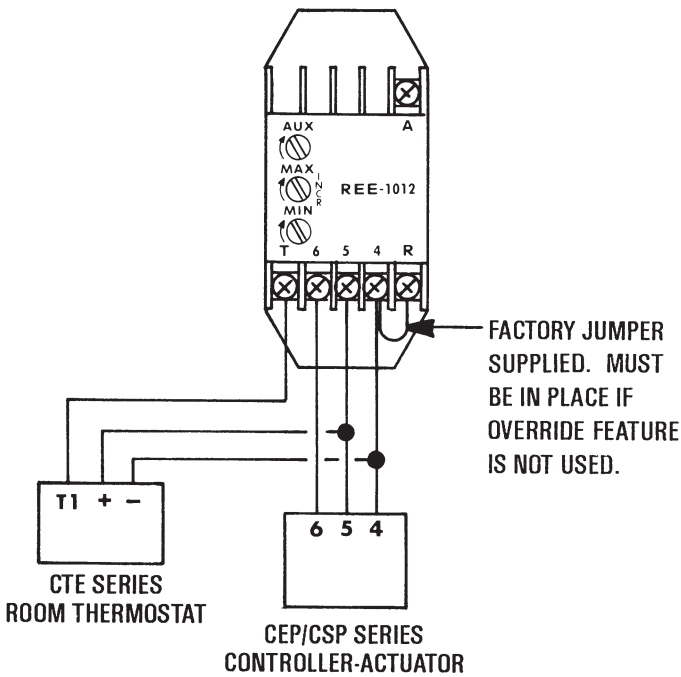
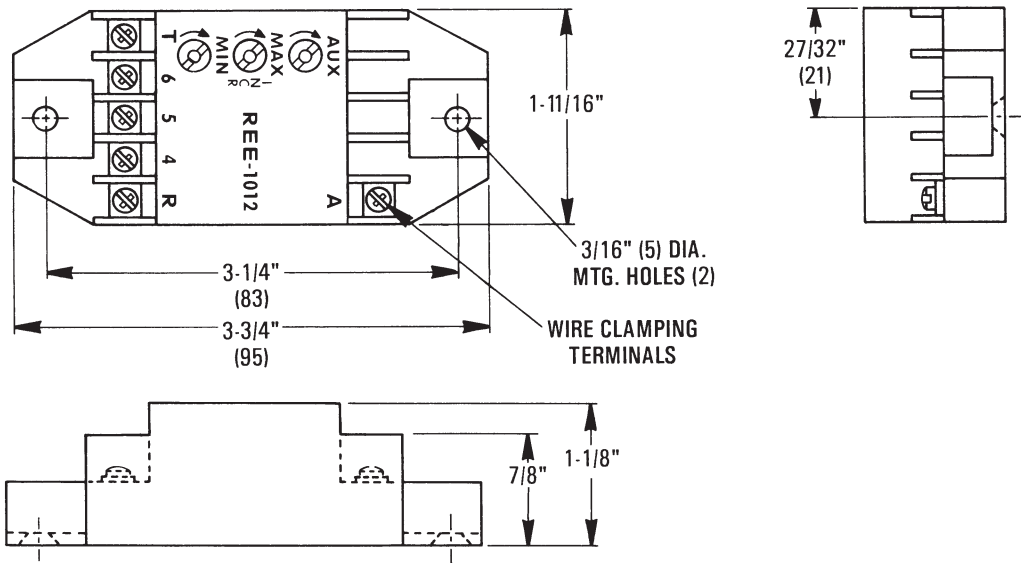
Still... Made in the U.S.A.

### Specifications

|                           |                                    |
|---------------------------|------------------------------------|
| <b>Supply Voltage</b>     | 9.1 to 18 VDC (2 to 4 mA)          |
| <b>Connections</b>        | Plated screw terminals             |
| <b>Wire Size</b>          | 14 to 22 AWG, stranded             |
| <b>Material</b>           | Flame-retardant plastic            |
| <b>Weight</b>             | 2 oz. (57 grams)                   |
| <b>Approvals</b>          | SASO PCP Registration KSA R-103263 |
| <b>Temperature Limits</b> |                                    |
| Operating                 | 40 to 120° F (4 to 49° C)          |
| Shipping                  | -40 to 140° F (-40 to 60° C)       |

# Details

All dimensions are in inches (mm)



**KMC Controls, Inc.**

19476 Industrial Drive, New Paris, IN 46553

574.831.5250

www.kmcccontrols.com

info@kmcccontrols.com