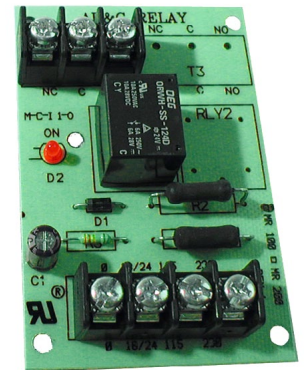
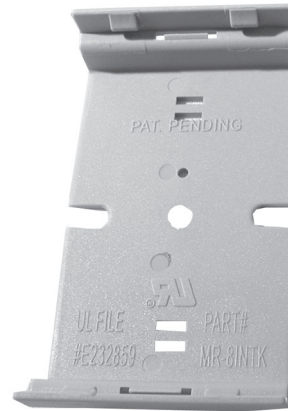


Description and Application

These relays are ideal for applications where local or remote contacts are required for system status, control of electrical loads, and general all-purpose switching. They are suitable for use in systems such as HVAC, fire, security, and lighting control.

These devices offer SPDT or DPDT 10 A contacts, which may be operated by one of four input control voltages. A single relay may be energized from a voltage source of 24 VDC/VAC, 115 VAC, or 230 VAC by wiring to the appropriate input terminals.

Each relay module has a red LED to visually indicate when the relay coil is energized.



Features

- ◆ SPDT or DPDT (Form "C") contacts
- ◆ Operated by multiple input control voltages (DC control inputs are polarized)
- ◆ Status LEDs for visual indication relay energized
- ◆ Rated at 10,000,000 mechanical operations

Models

REE-3101	Single SPDT relay, with LED and Snap Track mounting (shown above)
REE-3105	Single DPDT relay, with LED and Snap Track mounting

Accessories

HCO-1008	Steel enclosure with plastic cover, 3 1/8" W x 5 1/8" H x 2 1/16" D (for single relay modules)
----------	--



HCO-1009	Steel enclosure, 9 5/8" W x 5 1/8" H x 2 1/16" D (for multiple relay modules)
----------	---



Specifications

Power Requirements

SPDT Relay	18 mA @ 24 VAC/VDC, 115 VAC, 230 VAC
DPDT Relay	40 mA @ 24 VAC/VDC, 115 VAC, 230 VAC

Contact Ratings

Resistive	7 A @ 30 VDC, 10 A @ 125 VAC, 7 A @ 250 VAC
Inductive	0.25 hp @ 125/250 VAC for NC contacts, 0.33 hp @ 125/250 VAC for NO contacts

Connections

Wire clamp type terminals; 14–22 AWG, copper

Dimensions

2 1/8" W x 3 1/2" H x 1 1/4" D (54 x 89 x 32 mm)—dimensions of the board and Snap Track

Approvals

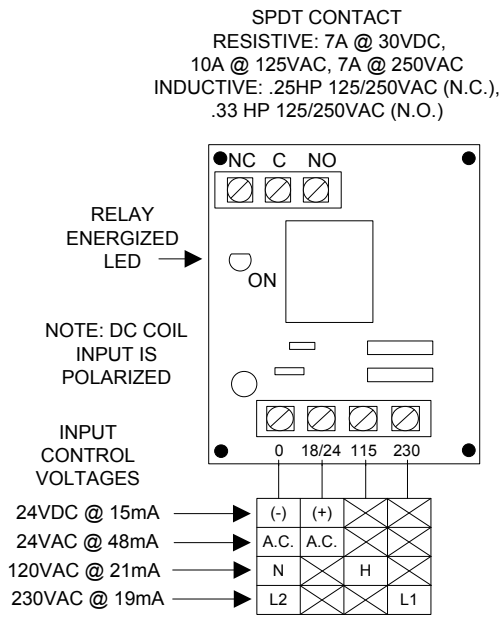
UL Recognized, SASO PCP Registration KSA R-103263

Temperature Limits

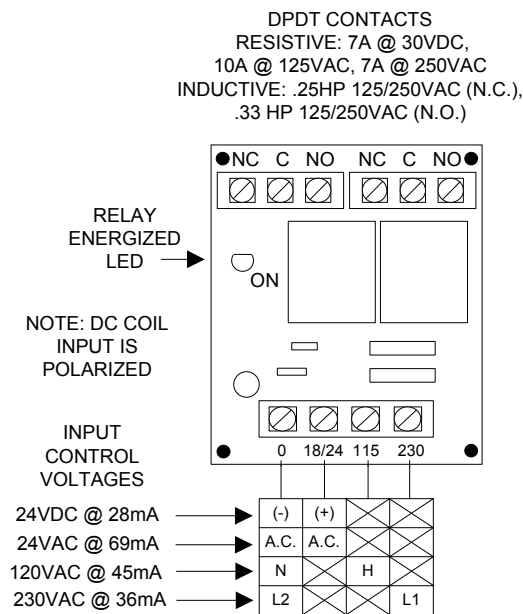
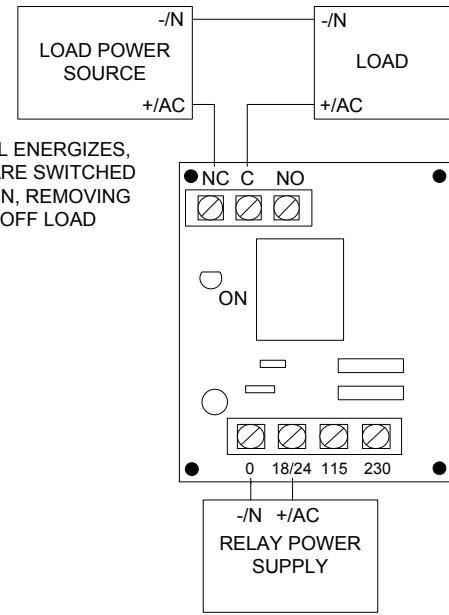
32 to 120° F (0 to 49° C) @ 93% RH non-condensing/non-freezing

Mounting

Snap Track included for mounting (see the Accessories section for enclosures)



WHEN RELAY COIL ENERGIZES, "NC" CONTACTS ARE SWITCHED TO OPEN POSITION, REMOVING POWER TO TURN OFF LOAD



KMC Controls, Inc.

19476 Industrial Drive
 New Paris, IN 46553

574.831.5250

www.kmcccontrols.com

info@kmcccontrols.com