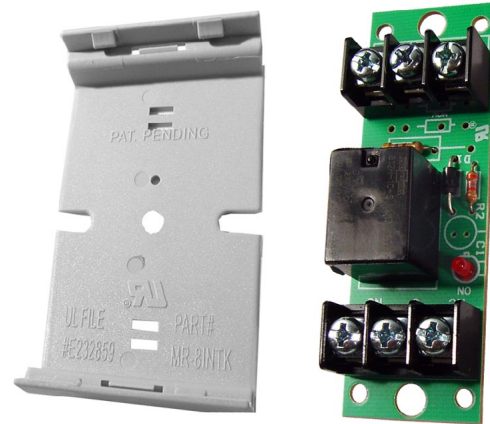


### Description and Application

The KMC REE-3110 series relays are ideal for applications where local or remote contacts are required for system status, control of electrical loads, and general all-purpose switching. They are suitable for use in systems such as HVAC, fire, security, and lighting control.

These devices offer SPDT contacts, which may be operated by one or two input control voltages. A single relay may be energized from a voltage source of 12 or 24 VDC by wiring to the appropriate input terminals.

Each relay module has a red LED to visually indicate when the relay coil is energized. Four-relay or eight-relay module assemblies may be snapped apart for independent use.



### Features

- ◆ SPDT (Form "C") 10 A contacts
- ◆ Operated by 12 or 24 VDC polarized input control voltages (not for VAC)
- ◆ Status LEDs for visual indication relay energized

### Models

REE-3112	Single SPDT relay, with LED
REE-3114	Four SPDT relays, with LEDs
REE-3116	Eight SPDT relays, with LEDs

NOTE: Boards come with Snap Track. Boards with stand-offs have been discontinued.

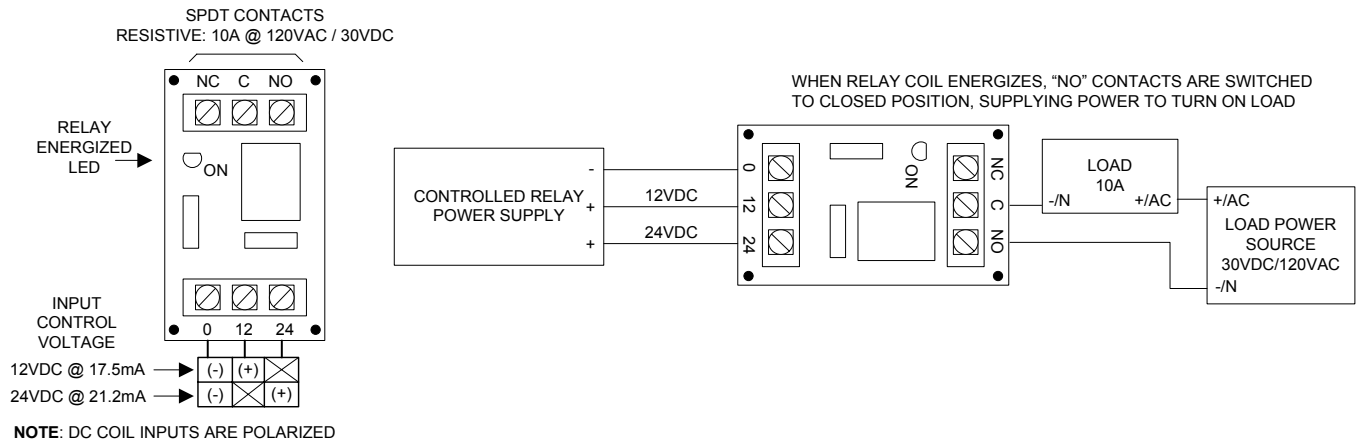
### Dimensions

Model	Dimension	Weight
REE-3112	3-1/4" H x 1-1/16" W x 1" D (83 x 27 x 25 mm)	1.25 oz.
REE-3114	3-1/4" H x 4-1/4" W x 1" D (83 x 108 x 25 mm)	6 oz.
REE-3116	3-1/4" x 8-1/2" W x 1" D (83 x 216 x 25 mm)	11.75 oz.

### Specifications

<b>Power Requirements</b>	17.5 mA @ 12 VDC, 21.2 mA @ 24 VDC (not VAC)
<b>Contact Rating</b>	10 A (resistive) @ 120 VAC or 30 VDC
<b>Connections</b>	Wire clamp type terminals; 14–22 AWG, copper
<b>Approvals</b>	UL Recognized; SASO PCP Registration KSA R-103263
<b>Temperature Limits</b>	32 to 120° F (0 to 49° C) @ 85% RH noncondensing/nonfreezing
<b>Mounting</b>	Snap Track mounting hardware (see also the Accessories section)

## Details and Sample Application



## Accessories

HCO-1008

Steel enclosure with plastic cover, 3-1/8 W x 5-1/8 H x 2-9/16" D (for single relay modules)



HCO-1009

Steel enclosure, 9-5/8 W x 5-1/8 H x 2-9/16" D (for four- or eight-relay modules)



**KMC Controls, Inc.**

19476 Industrial Drive

New Paris, IN 46553

574.831.5250

[www.kmcccontrols.com](http://www.kmcccontrols.com)

[info@kmcccontrols.com](mailto:info@kmcccontrols.com)