

Description and Application

The KMC SSE-1000 Duct Sensors are designed for use with VAV terminal units in HVAC systems. They are used in conjunction with the CEP series of controller-actuators to maintain the desired airflow to an occupied space. (See the sample application diagram on the next page.) The CEP model must be ordered separately. (See the CEP-4000 data sheet for related model numbers.)

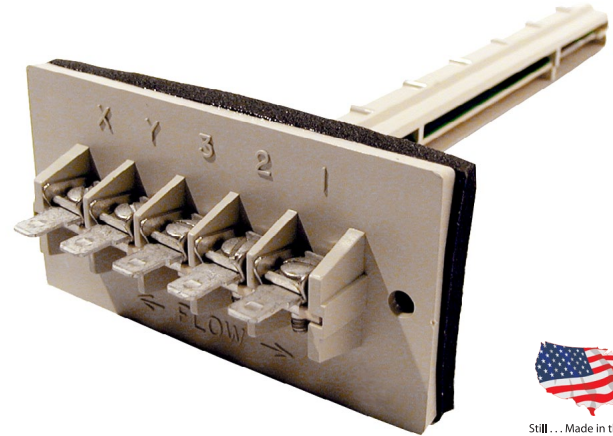
Two sensor lengths are available to accommodate various box inlet sizes. Sensors are inserted into the inlet collar of the box, and the foam backing on the sensor head protects against conditioned air leakage.

SSE-20xx models incorporate additional “X” and “Y” terminals for duct temperature sensing with devices such as the REE-1005 heating-cooling change-over relay. In addition, the airflow portion of the signal is fully compensated for changes in temperature for accurate control of delivered air.

SSE-1011/1012/2011/2012s are silicone “conformal” coated for air streams that may be contaminated with high humidity or corrosive materials.

Features

- ◆ Available in two different lengths to accommodate inlet box sizes
- ◆ Optional silicone conformal coating for harsh environments
- ◆ Optional temperature sensing (SSE-20xx models)
- ◆ Foam backing prevents air leakage



Specifications

Connections	Plated screw terminals
Material	Light gray ABS/polycarbonate (UL94-5V)
Weight	2.5 oz. (71 grams)
Temperature Limits	
Operating	40 to 120° F (4 to 49° C)
Shipping	-40 to 140° F (-40 to 60° C)

Models

SSE-20xx models have the **additional X and Y terminals for temperature sensing:**

Standard

SSE-1001/2001	3-7/8" long (98 mm)
SSE-1002/2002	7-7/8" long (200 mm)

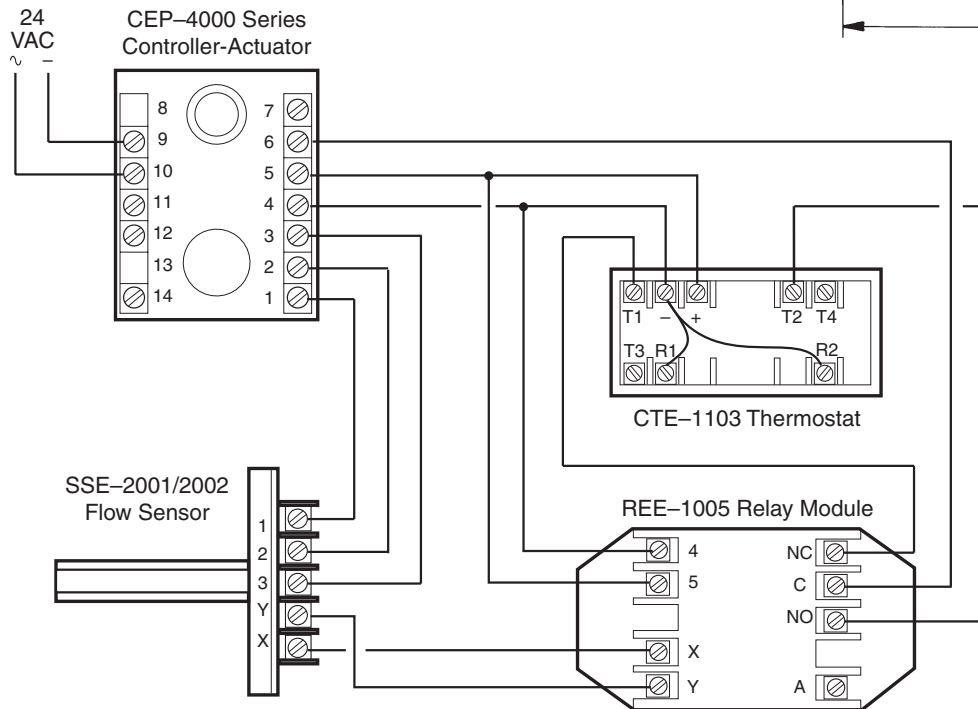
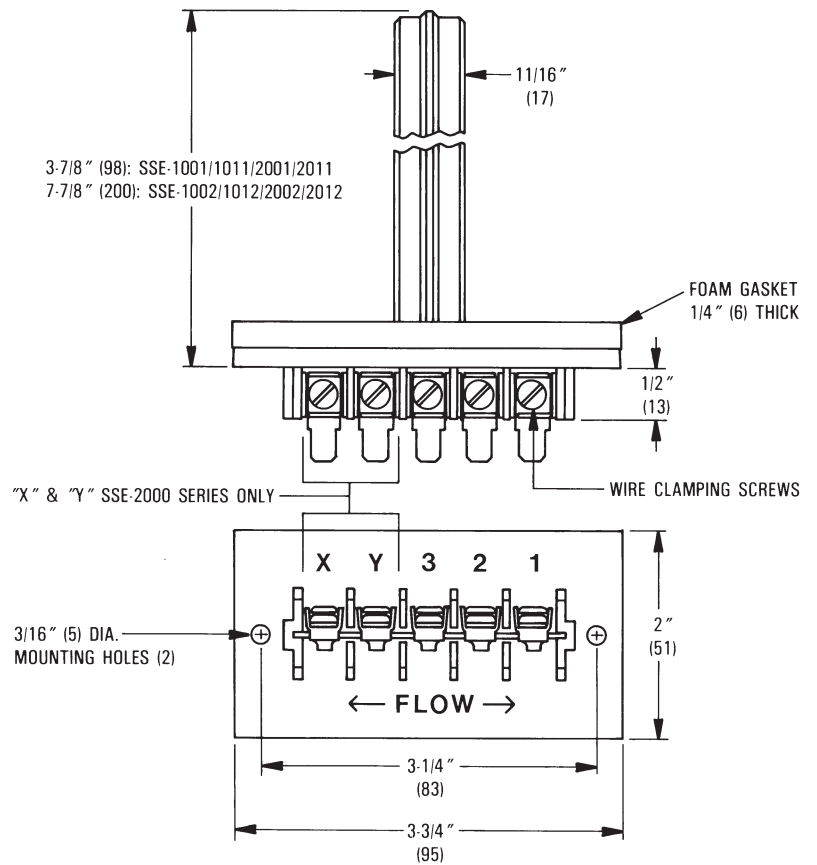
Conformal Coated

SSE-1011/2011	3-7/8" long (98 mm)
SSE-1012/2012	7-7/8" long (200 mm)

NOTE: The CEP series controller-actuator must be ordered separately, but can be shipped together. Specify the full CEP model number (see the CEP data sheet).

Dimensions and Sample Application

All dimensions are in inches



KMC Controls, Inc.

19476 Industrial Drive

New Paris, IN 46553

574.831.5250

www.kmcccontrols.com; info@kmcccontrols.com