

Description

The KMC MEP-5062/5072 ControlSet Actuators are designed to control small dampers or specific VEP series valves. The MEP-5062 is an 18°/minute actuator and the MEP-5072 is a 60°/minute actuator.

The actuators mount directly to a 1/2" or 3/8" diameter shaft, eliminating the need for expensive and complicated linkage. Mounting to a 3/8" diameter shaft requires the HFO-0011 shaft adaptor (ordered separately).

The actuator may be controlled via a 2 to 10 VDC control signal from a thermostat, controller or building automation system. A minimum of 50 in-lb. of torque is provided over the maximum angular rotation of 95°. The units are factory calibrated for 2 to 10 VDC input signal (4 to 20 mA with 500 ohm resistor) and 95° clockwise rotation. Counterclockwise rotation is obtained by simply toggling a switch.

A 1 to 5 VDC feedback voltage, proportional to the feedback signal, is provided. This feedback can be used for remote indication of damper position. An 18 VDC auxiliary power supply output is also supplied to power other control devices in the system. Minimum and maximum end stops are standard to limit the rotation. A gear disengagement feature allows positioning of the actuator without power.

An optional single, or double auxiliary switch can be field installed.

Features

- ◆ Direct mounting to standard shaft sizes
- ◆ 18° and 60°/minute models
- ◆ Proportional feedback output signal
- ◆ Built-in 18 VDC auxiliary power supply
- ◆ Adjustable end stops
- ◆ Gear disengagement feature



Application

The MEP-5062/5072 ControlSet Actuators are intended to control small dampers, such as air terminal unit dampers or specific VEP series valves.

Models

The following models are available:

MEP-5062	18°/minute actuator; 50 in-lb.
MEP-5072	60°/minute actuator; 50 in-lb.

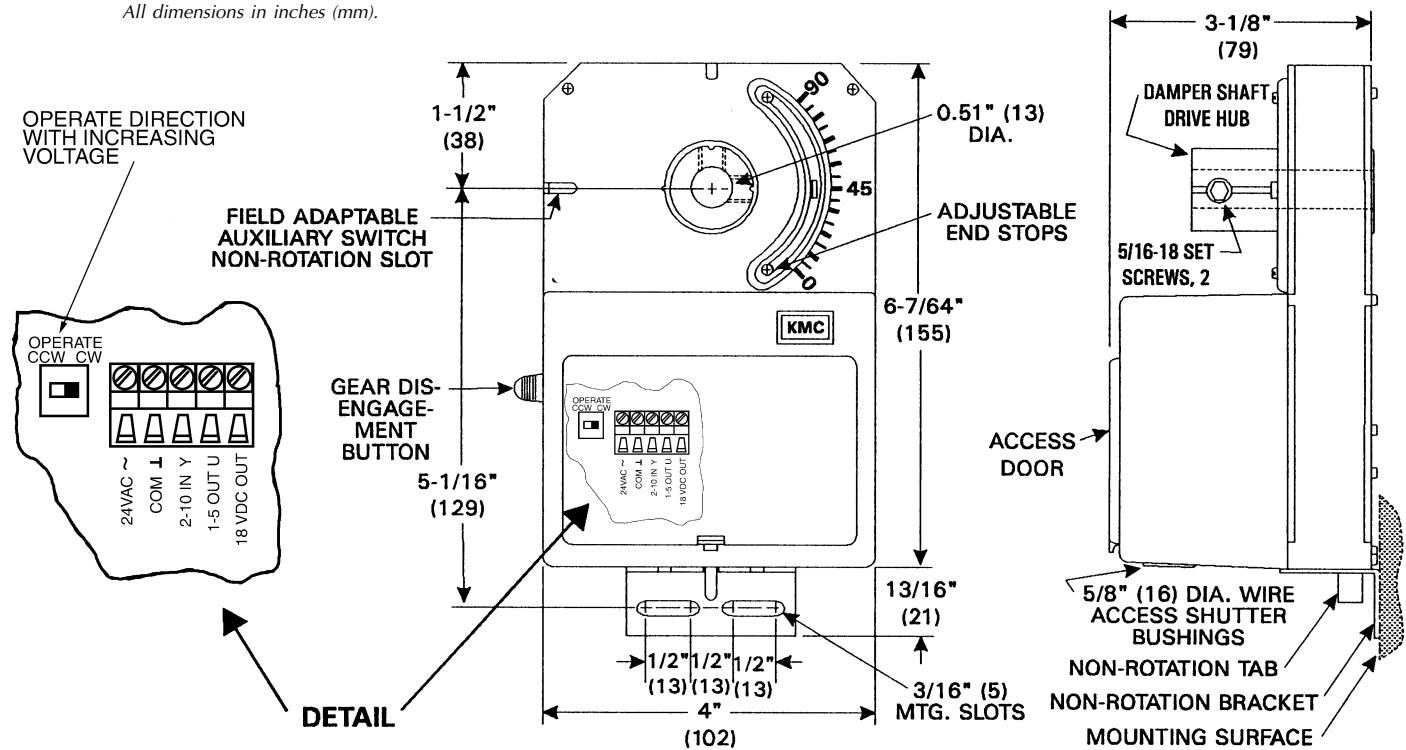
Accessories

The following accessories are available:

CME-1002	Single auxiliary switch
CME-1004	Double auxiliary switch
CME-1006	Triple auxiliary switch
HFO-0011	3/8" shaft adaptor
HMO-4518	Snap-in connector for 1/2" flexible metal conduit
HMO-4520	Compression connector for plenum cable
HMO-4526	Female connector for 1/2" conduit

Details

All dimensions in inches (mm).



DAMPER TYPE	Up to 1000 FPM	1000 to 2500 FPM	2500 to 3000 FPM
Opposed Blade without seals	3 in.-lb. / sq.-ft	4.5 in.-lb. / sq.-ft	6 in.-lb. / sq.-ft
Parallel Blade without seals	4 in.-lb. / sq.-ft	6.0 in.-lb. / sq.-ft	8 in.-lb. / sq.-ft
Opposed Blade with seals	5 in.-lb. / sq.-ft	7.5 in.-lb. / sq.-ft	10 in.-lb. / sq.-ft
Parallel Blade with seals	7 in.-lb. / sq.-ft	10.5 in.-lb. / sq.-ft	14 in.-lb. / sq.-ft

Specifications

Supply Voltage	24 VAC, +20/-15% @ 4 VA
Control Input	2 to 10 VDC or 4 to 20 mA
Feedback	1 to 5 VDC
Auxiliary Power	
Supply	18 VDC @ 10 mA
Torque	50 in.-lb. (5.7 N•m) minimum
Angular Rotation	0° to 95°, stop adjustable, both ends

Weight	2.4 lb. (1 kg)
Material	Black flame retardant polymer, UL94-5V plenum rated
Approvals	UL Recognized
Temperature Limits	
Operating	0° to 120° F (-18° to 49° C)
Shipping	-40° to 140° F (-40° to 60° C)

Motor Timing

MEP-5062	18°/minute @ 60 Hz; 15°/minute @ 50 Hz
MEP-5072	60°/minute @ 60 Hz; 50°/minute @ 50 Hz

Connections Wire clamp type; 14-22 AWG, Copper

KMC Controls, Inc.

19476 Industrial Drive
New Paris, IN 46553
574.831.5250

www.kmccontrols.com