

Description and Application

These tri-state ControlSet Actuators are designed to control small dampers, such as air terminal unit dampers. The MEP-5061 is an 18°/minute actuator, and the MEP-5071 is a 60°/minute actuator. A minimum of 50 in-lbs. of torque over the maximum angular rotation of 95° is provided.

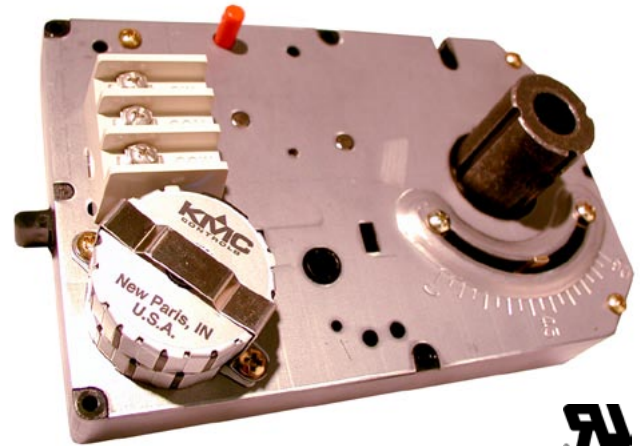
The actuator mounts to a 1/2-inch or 3/8-inch diameter damper shaft, eliminating the need for expensive and complicated linkages. When mounting to a 3/8-inch diameter shaft, the HFO-0011 shaft adaptor is required and must be ordered separately.

These bidirectional motors may be controlled via an SPDT floating thermostat or building automation system. Both minimum and maximum end stops are standard to limit the rotation. A non-rotation bracket, to prevent lateral movement, is included with each actuator. A gear disengagement button allows manual positioning of the damper and/or gear train without energizing the actuator.

The actuators are protected against overloading. An optional feedback potentiometer and/or a (single or double) auxiliary switch can be field installed.

Features

- ◆ Direct mounting to standard shaft sizes
- ◆ Available in 18° and 60° per minute models
- ◆ Bi-directional motors can be controlled by an SPDT floating thermostat or a building automation system
- ◆ Adjustable end stops
- ◆ Gear disengagement button for manual positioning
- ◆ Optional potentiometer feedback (CME-2003) and adjustable SPDT auxiliary switches (CME-1002/1004) can be field installed



Models

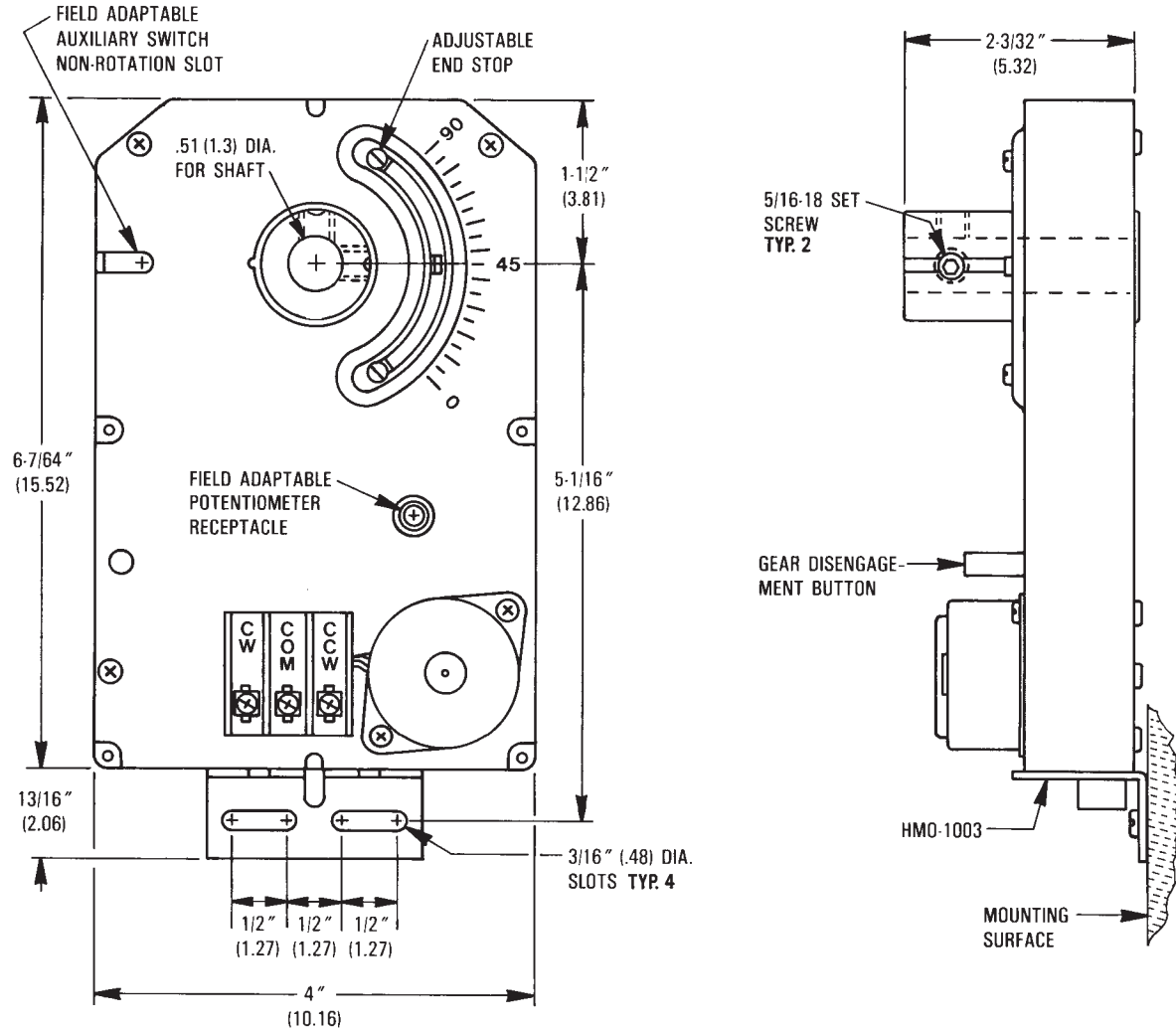
MEP-5061	18°/minute actuator
MEP-5071	60°/minute actuator
(Both models are UL Recognized)	

Accessories/Repair Parts

CME-1002	Single SPDT auxiliary switch
CME-1004	Double SPDT auxiliary switches
CME-2003	Rotary feedback, three-wire potentiometer (10K ohm, 1/3 watt)
HFO-0011	3/8" shaft adaptor
HMO-1003	Replacement non-rotation bracket
HCO-1151	12 ⁷ / ₁₆ x 7 x 3 ¹ / ₄ " weather enclosure

Details

All dimension are in inches (mm)



Specifications

Supply Voltage	24 VAC (+20%/-15%), Class 2
Maximum Power	2 VA
Control Input	Tri-state (see Supply Voltage)
Angular Rotation	0° to 95°, adjustable stops on both ends
Motor Timing	
MEP-5061	18°/minute @ 60 Hz; 15°/minute @ 50 Hz
MEP-5071	60°/minute @ 60 Hz; 50°/minute @ 50 Hz
Torque	50 in-lbs. (5.7 N•m) minimum
Connections	Wire clamp type; 14-22 AWG, copper
Mounting	Direct mounting on 1/2" or (with HFO-0011 adaptor) 3/8" shafts

Dimensions	See diagram above
Weight	2 lbs. (0.91 kg)
Material	Flame retardant plastic
Approvals	UL 873 Temperature Indicating and Regulating Equipment
Environmental Limits	
Operating	0 to 120° F (-18 to 49° C)
Shipping	-40 to 140° F (-40 to 60° C)
Humidity	5 to 95% RH (non-condensing)

KMC Controls, Inc.

19476 Industrial Drive, New Paris, IN 46553

574.831.5250

www.kmcccontrols.com

info@kmcccontrols.com